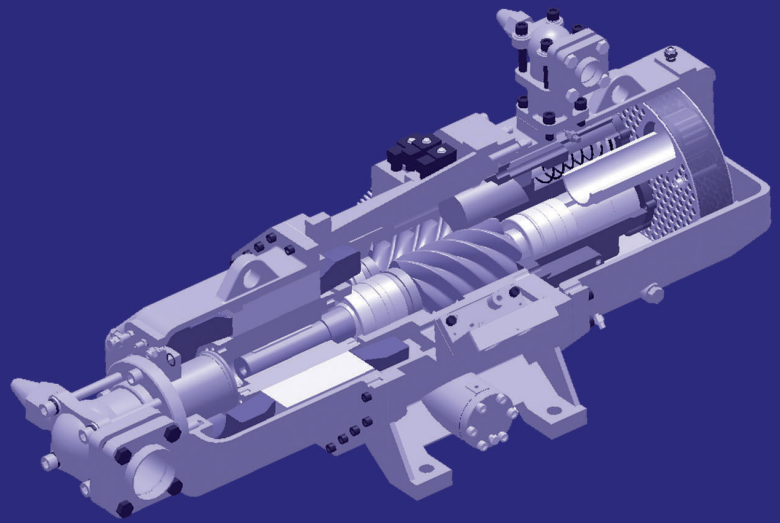


中国雪梅

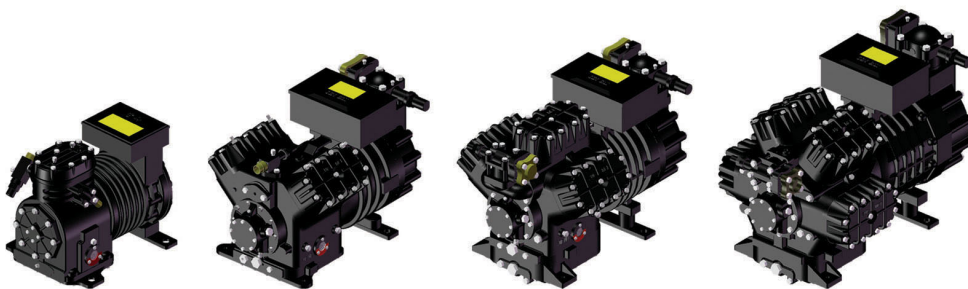


心灵创造品牌

CHINA XMR



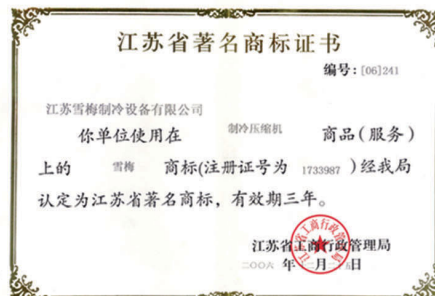
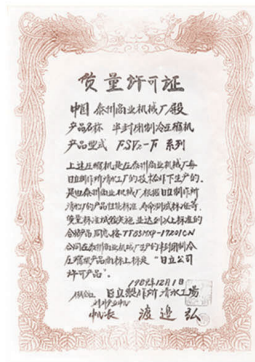
SEMI-HERMETIC REFRIGERATION COMPRESSOR





Jiangsu Xuemei Refrigeration Equipment Co.,Ltd. Is a high-tech manufacturer of XUEMEI brand and XMR brand refrigeration products and a model enterprise producing refrigeration compressor designated by UN and China Government.

There are totally 10 series of products: Economic single stage semi-hermetic refrigeration compressors, High efficient single stage semi-hermetic refrigeration compressors, Two-stage semi-hermetic refrigeration compressors, Screw Compressors, Ice cream machines, Condensing unit of air cooled or water cooled, Heat pumps, Water chilling units, Shell and tube heat exchangers, and refrigeration engineering.





We founded in 1963. and at the beginning, we produced open compressors. In 1985, we imported the key technology and equipment for manufacturing semi-hermetic compressors from Hitachi Japan. In 1997, we imported technology from AC UK and started to producing the larger capacity semi-hermetic compressors. In 2009, we imported technology from EU and started producing screw compressors.

We have 68 region sales agents in China. We started to do international business since 2003 and now we have 16 sole distributor and more than 30 distributors all over the world. We have professional sales team, after-sales team as well as engineering teams.

Our factory has obtained ISO9001:2000 int'l quality system certificate, China industrial product manufacturing license, CE certificate and RoHs directive.

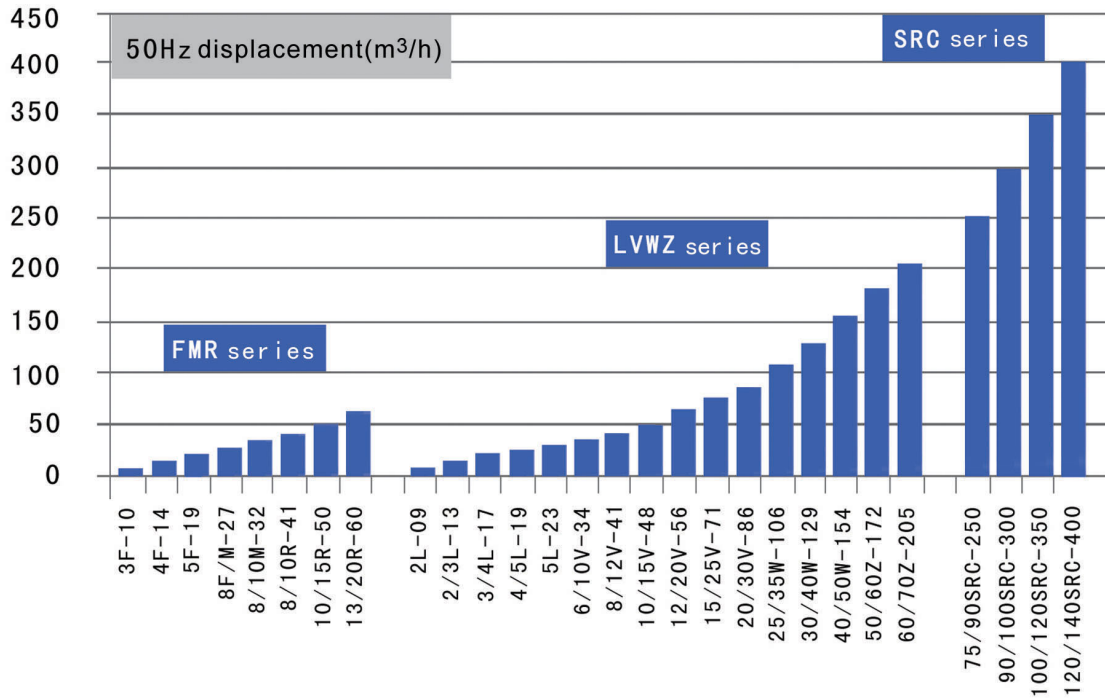
We are the member enterprise of Chinese Association of Refrigeration (CAR) and the syndic enterprise of China Refrigeration and Air-conditioning Industry Association (CRAA).



Compressor Brief

XUEMEI semi-hermetic refrigeration compressors include 2 cylinders F, L and M series, 3 cylinders R series, 4 cylinders V series, 6 cylinders W series, 8 cylinders Z series, 2-stage S series and SRC screw compressors. Our products can meet all kinds of refrigeration and air conditioning and heat pump requirements.

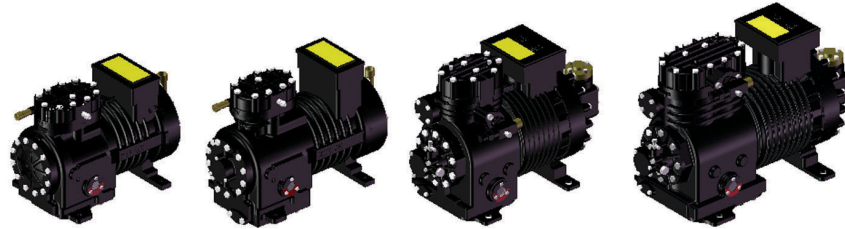
Our compressors can apply various kinds of refrigerants, R22, R134a, R404A, R507A, R407C and etc. which make our compressors can be stably applied to various conditions, like heat pump, air conditioning, and refrigeration.



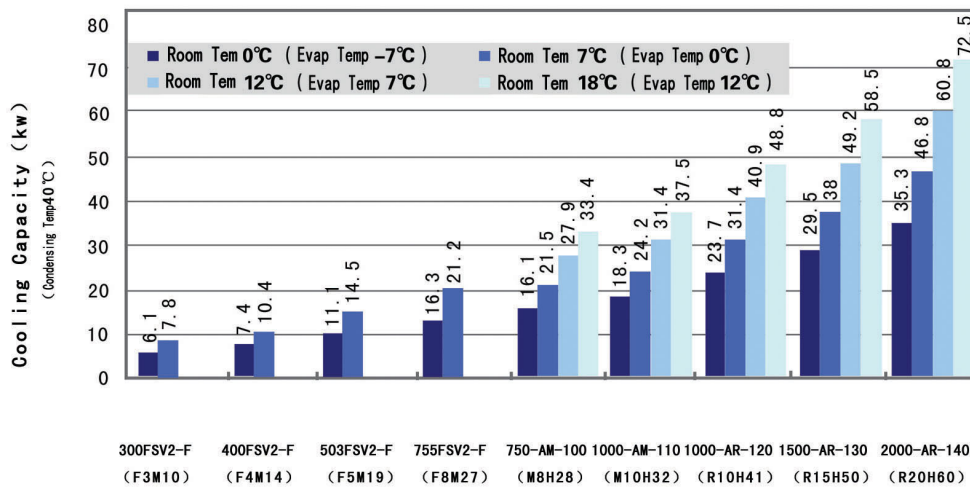
Roughly indication of choosing of XUEMEI compressors according to the motor power

2	3	4	5	6	8	10	12	13	15	20	25	30	35	40	50	60	70	75	90	100	120	140
F series																		Nominated Power (HP)				
L series												M, R series										
V series																		W Z series				
S 2-stage series																		SRC Screw series				

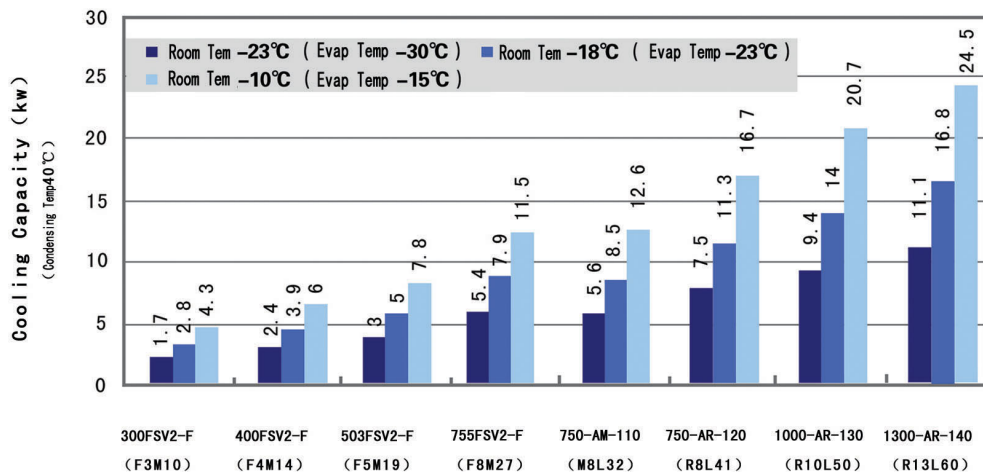
Economic F, M, R series, norminated power from 3HP to 20HP, displacement from 10m³/h to 60m³/h



Application of high-mid temp compressors (Temp ranging from +20 to -5C)



Application of mid-low temp compressors (Temp ranging from -10 to -25C)

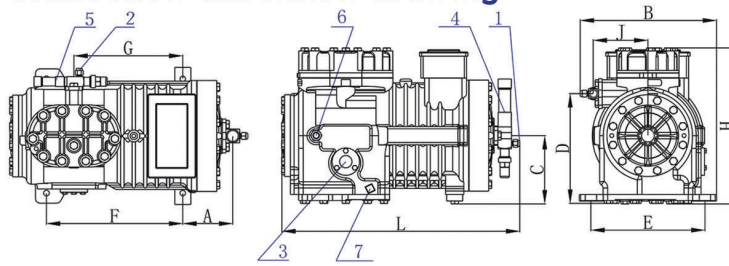




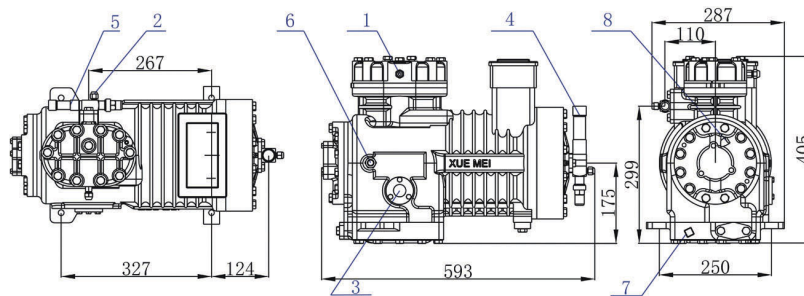
◇ PARAMETER

Model	Code	Cylinders	Rated Power (HP)	50Hz Displacement (m ³ /h)	Power Supply	Starting Current LRA	Max Current MRA	Max Power (kW)	Connection Pipe				Oil Charge l	Weight kg
									Suction Pipe		Discharge Pipe			
									mm	"	mm	"		
300FSV2-F	F3M10	2	3	10	Y/380V/ 3~ 50Hz/4p	28	5.9	3.2	19	12		1.1	57	
400FSV2-F	F4M14		4	14		35	7.8	4.2		16			62	
503FSV2-F	F5M19		5	19		45	9.6	5.2	25	19		2.2	93	
755FSV2-F	F8M27		7.5	27		74	14.5	7.8		19		3.1	105	
750-AM-100	M8H28	2	7.5	28	Y/380V/3~/50Hz/4p Y/440V/ 3~/60Hz/4p	76/132	16.4/28	9.2	28	22	2.5	144		
750-AM-110	M8L32			32		96/166	20.2/35	11.6					1-1/8"	
1000-AM-110	M10H32		1 0	41		76/132	16.8/29	9.4	35	1-3/8"		28	3	158
750-AR-120	R8L41		7.5			96/166	22/38	12.3						1-1/8"
1000-AR-120	R10H41	1 0	50	138/239	31/54	17.4	42 1-5/8"	35 1-3/8"	177					
1000-AR-130	R10L50	1 5		160/278	37.4/65	20.9	42 1-5/8"		172					
1500-AR-130	R15H50	3	1 3	60	Y/380V/3~/50Hz/4p Y/440V/ 3~/60Hz/4p	△/220V/ 3~/50Hz/4p △/260V/ 3~/60Hz/4p	17.4	20.9	42 1-5/8"	1-1/8"	3	185		
1300-AR-140	R13L60											2 0	172	
2000-AR-140	R20H60		2 0	177										
				185										

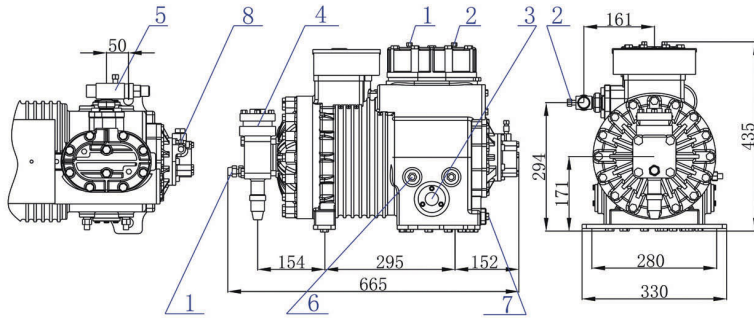
◇ Overall and connection dimension drawing



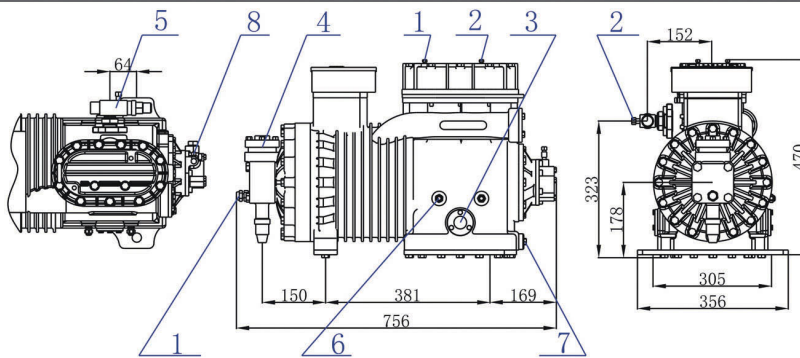
	L (mm)	B (mm)	H (mm)	E (mm)	F (mm)	A (mm)	C (mm)	D (mm)	G (mm)
300FSV2-F (F3M10)	448	249	268	186	236	92	98	182	207
400FSV2-F (F4M14)	475	249	283	186	236	113	98	182	207
503FSV2-F (F5M19)	523	304	335	250	298	110	150	239	238



755FSV2-F (F8M27)



750-AM-100 (M8H28); 750-AM-110 (M8L32); 1000-AM-110 (M10H32)

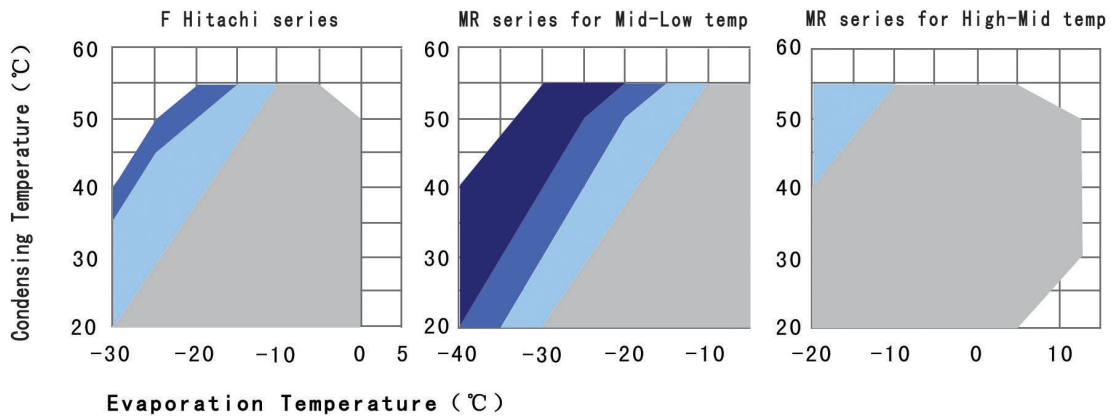


750-AR-120 (R8L41); 1000-AR-120 (R10H41); 1000-AR-130 (R10L50); 1500-AR-130 (R15H50);
1300-AR-140 (R13L60); 2000-AR-140 (R20H60)

Marks

1—Low pressure bolt 2—high pressure bolt 3—oil sight glass 4—suction stop valve 5—discharge stop valve 6—oil inlet
7—oil outlet (also oil heater connector if necessary 8—connector for oil pressure meter and the high oil pressure difference meter

◇ R22 Rang of application



No any additional condition, Suc. T=20°C	Need to control Suction Temp. Keep the Suction Temp difference <15K
Need to control Suction Temp. Keep the Suction Temp difference <15K, also need to add cylinder head cooling fan	Cylinder head cooling fan and liquid spray device for the system



◆ R22 PARAMETER

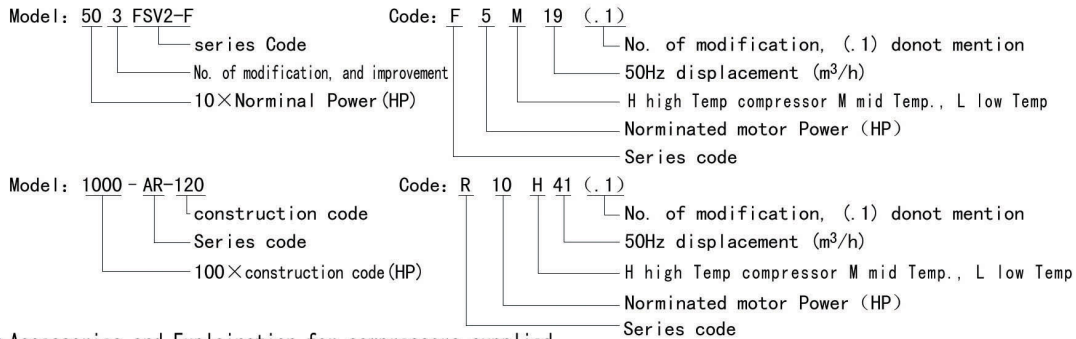
Model	Code	Cond. Temp. °C	Under condition of 50Hz, Suc. Temp 20°C or Suc. Temp difference 15K, No sub cooling. Cooling Capacity Q(W), Power (kw)														
			R22 Evap. Temp. °C														
			12.5	10	7	5	0	-5	-10	-15	-20	-25	-30	-35	-40		
300FSV2-F	F3M10	30	Q					8815	7445	6075	4845	3818	3010	2210			
			P					2.18	2.06	1.94	1.80	1.66	1.51	1.35			
		40	Q					7800	6540	5330	4255	3320	2500	1700			
			P					2.46	2.33	2.15	1.98	1.78	1.57	1.39			
		50	Q					6850	5620	4525	3460	2575	1910				
			P					2.75	2.54	2.33	2.09	1.86	1.62				
400FSV2-F	F4M14	30	Q					11800	10100	8360	6890	5445	4035	2640			
			P					3.11	2.97	2.81	2.60	2.39	2.19	1.99			
		40	Q					10400	8895	7350	6000	4600	3480	2440			
			P					3.73	3.45	3.18	2.92	2.65	2.35	2.08			
		50	Q					7880	6350	4970	3840	2900					
			P					3.99	3.63	3.24	2.89	2.50					
503FSV2-F	F5M19	30	Q					16200	13500	11020	8910	6810	5150	3500			
			P					3.78	3.52	3.27	3.00	2.75	2.45	2.15			
		40	Q					14450	11900	9800	7800	5900	4330	2950			
			P					4.23	3.96	3.65	3.31	2.93	2.6	2.26			
		50	Q					12860	10480	8320	6550	4870	3480				
			P					4.83	4.46	4.03	3.58	3.12	2.69				
755FSV2-F	F8M27	30	Q					23170	19750	16320	13080	10280	8045	5810			
			P					5.78	5.51	5.20	4.84	4.40	3.95	3.50			
		40	Q					21170	17600	14440	11500	8880	7200	5400			
			P					6.57	6.25	5.80	5.26	4.75	4.20	3.70			
		50	Q					19040	15600	12600	9900	7800	6360				
			P					7.44	6.94	6.33	5.68	5.02	4.40				
750-AM-100	M8H28	30	Q	38000	34800	31650	29150	24200	19900	16150	12900	10200					
			P	4.85	5.05	5.20	5.25	5.35	5.25	5.00	4.70	4.35					
		40	Q	33950	31100	27900	25950	21450	17500	14100	11100	8600					
			P	6.70	6.75	6.70	6.70	6.50	6.25	5.85	5.30	4.85					
		50	Q	29800	27300	24500	22700	18650	15200	12100	9400	7100					
			P	8.40	8.30	8.15	8.00	7.55	7.05	6.40	5.80	5.10					
750-AM-110	M8L32	30	Q					22300	18250	14850	11850	9250	7000	4850	3350		
			P					6.25	5.95	5.60	5.20	4.75	4.25	3.78	3.30		
		40	Q					19450	15800	12600	9950	7500	5550	4000			
			P					7.35	6.85	6.25	5.60	5.00	4.40	3.90			
		50	Q					16900	13700	10700	8350	6300					
			P					8.15	7.50	6.85	6.15	5.40					
1000-AM-110	M10H32	30	Q	42500	38900	35100	33000	27100	22350	18200	14600	11550					
			P	5.95	6.15	6.30	6.35	6.40	6.25	5.95	5.55	5.10					
		40	Q	38100	34900	31400	29200	24200	19850	16050	12750	9950					
			P	8.10	8.00	7.65	7.85	7.60	7.20	6.75	6.20	5.65					
		50	Q	33750	30930	27500	25800	21300	17380	14200	11030	8450					
			P	10.00	9.80	9.55	9.35	8.75	8.15	7.50	6.85	6.15					
750-AR-120	R8L41	30	Q					28900	23650	19150	15200	11650	8850	6500	4650		
			P					7.65	7.20	6.70	6.10	5.50	4.90	4.20	3.50		
		40	Q					25700	20800	16700	13150	10100	7500	5300	3600		
			P					8.85	8.15	7.40	6.65	5.80	5.05	4.25	3.50		
		50	Q							14300	11150	8500	6250				
			P							8.05	7.20	6.35	5.50				
1000-AR-120	R10H41	30	Q	54800	50500	45250	42100	35000	28700	23450	18850	14950					
			P	7.35	7.50	7.60	7.65	7.55	7.35	7.00	6.60	6.15					
		40	Q	49600	45500	40850	38000	31400	25700	20800	16650	13050					
			P	9.60	9.55	9.50	9.40	9.05	8.65	8.10	7.50	6.80					
		50	Q			35750	33500	27500	22500	18250	14300	11070					
			P			11.45	11.06	10.47	9.78	9.00	8.09	7.14					
1000-AR-130	R10L50	30	Q					35350	29100	23450	18750	14750	11250	8250	5820		
			P					9.40	9.05	8.50	7.95	7.20	6.35	5.50	4.60		
		40	Q					31500	25800	20650	16250	12500	9350	6700			
			P					11.20	10.55	9.65	8.55	7.55	6.55	5.55			
		50	Q							22300	17800	13800	10500	7650			
			P							11.50	10.30	9.10	7.85	6.75			
1500-AR-130	R15H50	30	Q	66850	61300	55700	51500	42600	35200	28900	23200	18450					
			P	9.45	9.55	9.60	9.55	9.50	9.20	8.85	8.25	7.55					
		40	Q	59500	54450	49150	45750	37950	31850	25850	20800	16350					
			P	12.10	12.00	11.65	11.85	11.60	11.00	10.25	9.46	8.52					
		50	Q	52000	47650	42850	39800	33200	27500	22300	17800	14000					
			P	14.55	14.25	13.85	13.55	12.75	11.85	11.00	10.05	9.00					

◇ R22 PARAMETER

Model	Code	Cond. Temp. °C	Under condition of 50Hz, Suc. Temp 20°C or Suc. Temp difference 15K, No sub cooling. Cooling Capacity Q(W), Power (kw)													
			R22							Evap. Temp. °C						
			12.5	10	7	5	0	-5	-10	-15	-20	-25	-30	-35	-40	
1300-AR-140	R13L60	30	Q						42700	34900	28100	22300	17450	13200	9750	6900
			P						11.90	11.20	10.40	9.40	8.35	7.35	6.35	5.35
		40	Q						37800	30700	24500	19450	15050	11100	7980	
			P						13.50	12.55	11.40	10.20	9.02	7.76	6.52	
		50	Q						32500	26450	21200	16400	12500	9200		
			P						15.05	13.75	12.30	10.95	9.52	8.10		
2000-AR-140	R20H60	30	Q	83300	76500	68900	64100	53300	43000	34900	28100	22300				
			P	12.35	12.50	12.42	12.30	11.96	11.40	10.75	10.05	9.15				
		40	Q	73700	67600	60800	56500	46800	38300	30850	24750	19300				
			P	15.30	15.05	14.85	14.55	13.95	13.10	12.15	11.05	9.90				
		50	Q	64200	58850	52850	49100	40600	32950	26650	21250	16500				
			P	18.30	18.05	17.60	17.00	16.00	14.75	13.40	12.05	10.55				

◇ Remarks

● Model Code Remarks



● Accessories and Explanation for compressors supplied

Item	供货范围	QTY	F Series	M Series		R Series	
				High-Mid temp	Mid-Low temp	High-Mid temp	Mid-Low temp
1	380 (440) V /3 ~ /50 (60) Hz direct start compressor	1	●	●	●	●	
	220 (260) V /3 ~ /50 (60) Hz direct start compressor		need to be made according to requirement	●	●		
	Special power supply		can be made according to requirement				
2	Motor protect (PTC thermistor and protection module)	1	●	●	●	●	
3	Cylinder head cooling fan	1	○	○	●	○	●
4	Crankcase oil heater	1	○	○		○	
5	rubber washer	4	●	●	●	●	
6	liquid spray device	1	×	×	○	×	○
7	water proof silica glue for terminal plate and oil heater	1	●	●	●	●	
8	spare stop valve gasket	1	●	●	●	●	
9	spare oil filter gasket	1	×	●	●	●	

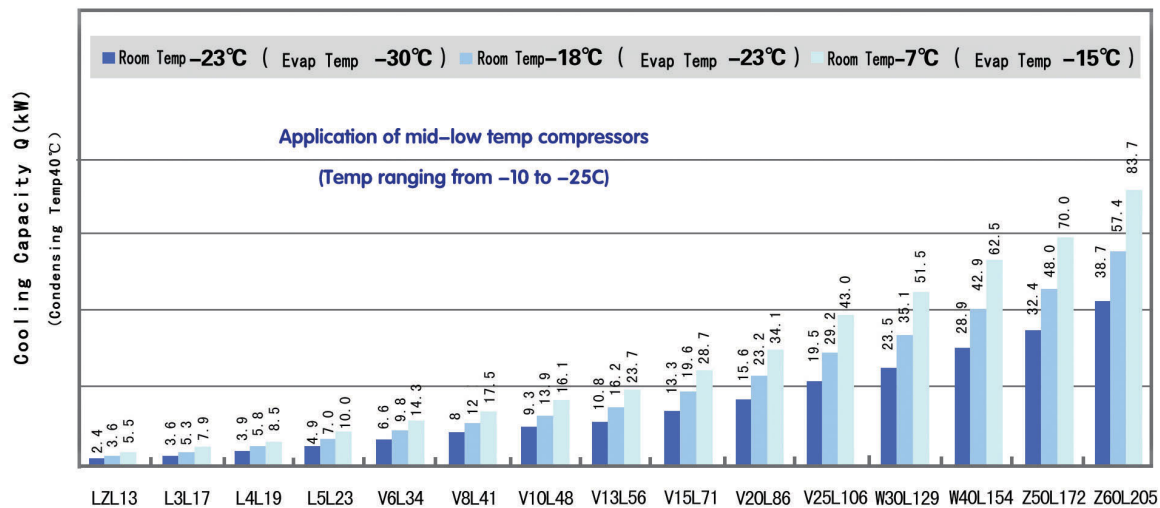
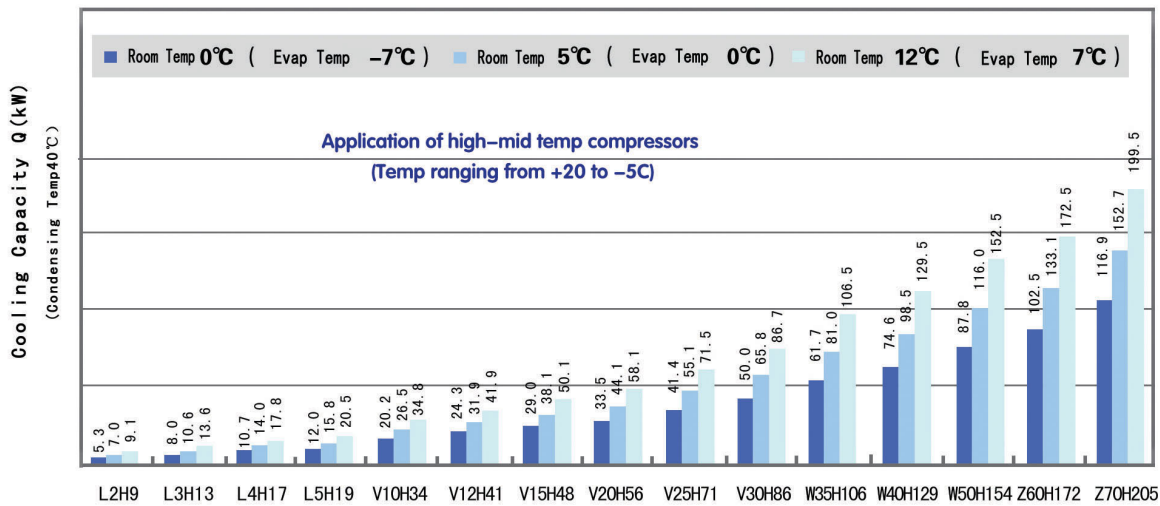
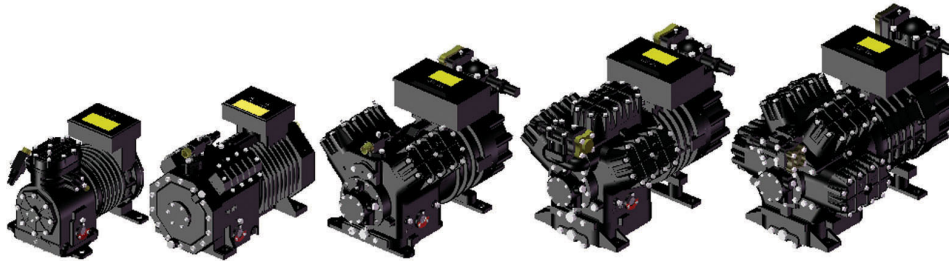
mark: ● — standard; ○ — optional; × — forbidden

● HFC工质应用说明

FMR系列压缩机通过更换合成酯类润滑油亦可在适当限制范围内使用R134a、R407C或R404A等HFC制冷剂，其具体使用限制及性能参数可向雪梅公司咨询。对于HFC等新型工质的使用，雪梅公司主张推荐采用更为高效广泛应用的雪梅LVWZ系列压缩机。



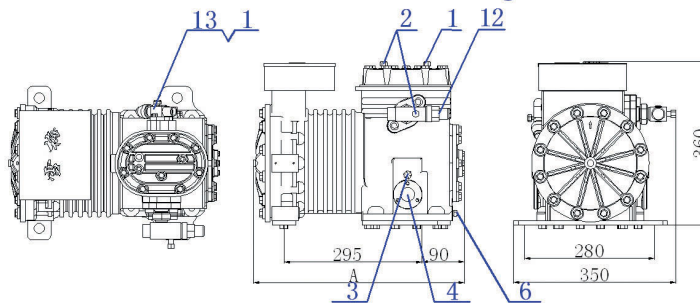
High efficient L, V, W, Z series compressors, norminated power from 2HP to 80HP, displacement from 9m³/h to 205m³/h



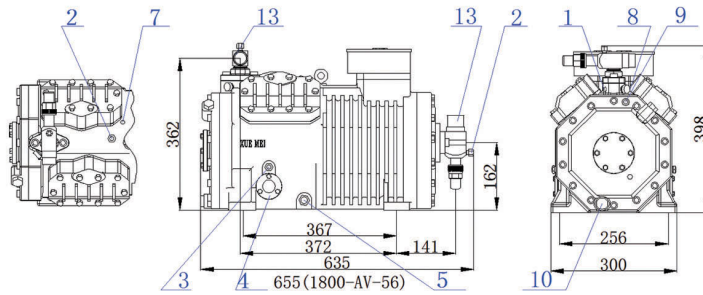
PARAMETER

Model	Code	Cylinder orders	Rated Power (HP)	50Hz Displacement (m ³ /h)	Power Supply		Starting Current LRA	Max Current MRA	Max Power (kW)	Connection Pipe				Oil Charge l	Weight kg
										Suction Pipe		Discharge Pipe			
										mm	"	mm	"		
200-AL-50 (X)	L2H9	2	2	9	Y — 380V/3~/50Hz/4p Y — 440V/ 3~/60Hz/4p △ — 220V/ 3~/50Hz/4p △ — 260V/ 3~/60Hz/4p		26/45	5.5/9.5	3.1	16, 5/8"	12, 1/2"	2.5	86		
200-AL-60 (X)	L2L13			13											
300-AL-60 (X)	L3H13		3	17			37/64	7.5/13	4.2	22 7/8"	16 5/8"				
300-AL-65 (X)	L3L17			17											
400-AL-65 (X)	L4H17		4	19			44/76	10.2/18	5.7	28	22 7/8"				
400-AL-70 (X)	L4L19			19											
500-AL-70 (X)	L5H19		5	23			60/104	11.4/20	6.4	1-1/8"	35 1-3/8"				
500-AL-75 (X)	L5L23			23											
600-AV-34 (X)	V6L34	4	6	34	PW-YY-380V/3~/50Hz/4p PW-YY-440V/ 3~/60Hz/4p		76/132	15/26	8.4	1-1/8"	22 7/8"	135			
1000-AV-34 (X)	V10H34			10									34	99/166	21/38
800-AV-41 (X)	V8L41		8	41			76/132	17/29	9.4	35 1-3/8"	28	1-1/8"	140		
1200-AV-41 (X)	V12H41			12										41	113/196
1000-AV-48 (X)	V10L48		10	48			99/166	22/38	12.3	42 1-5/8"	35 1-3/8"	150			
1500-AV-48 (X)	V15H48			15									48	138/239	31/54
1200-AV-56 (X)	V12L56		12	56			113/196	27/47	15.1	35 1-3/8"	155				
2000-AV-56 (X)	V20H56			20								56	160/278	37/65	20.5
1500-AV-71 (X)	V15L71		15	71			81/132	31	18.1	42 1-5/8"	208				
2500-AV-71 (X)	V25H71			25								71	116/193	45	24.5
2000-AV-86 (X)	V20L86		20	86			135/220	53	30.2	54 2-1/8"	210				
3000-AV-86 (X)	V30H86			30								86	135/220	53	30.2
2500-AV-103 (X)	V25L103		25	103			148/262	61	37.5	42 1-5/8"	215				
3500-AV-103 (X)	V35H103			35								103	135/220	53	30.2
2500-AW-106 (X)	W25L106		25	106			148/262	61	37.5	54 2-1/8"	220				
3500-AW-106 (X)	W35H106			35								106	148/262	61	37.5
3000-AW-129 (X)	W30L129	30	129	180/323	78	45.1	35 1-3/8"	225							
4000-AW-129 (X)	W40H129		40						129	226/404	93	54.0			
4000-AW-154 (X)	W40L154	40	154	226/404	93	54.0	42 1-5/8"	230							
5000-AW-154 (X)	W50H154		50						154	285/426	112	66.0			
5000-AZ-172 (X)	Z50L172	50	172	340/500	112	66.0	76 3-1/8"	240							
6000-AZ-172 (X)	Z60H172		60						172	380/570	125	78.0			
6000-AZ-205 (X)	Z60L205	60	205	380/570	125	78.0	54 2-1/8"	245							
7000-AZ-205 (X)	Z70H205		70						205	380/570	125	78.0			

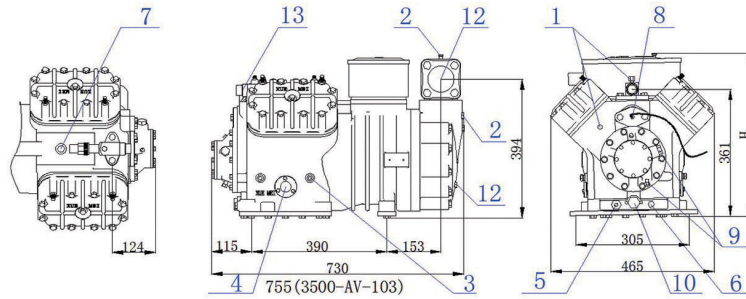
Overall and connection dimension drawing



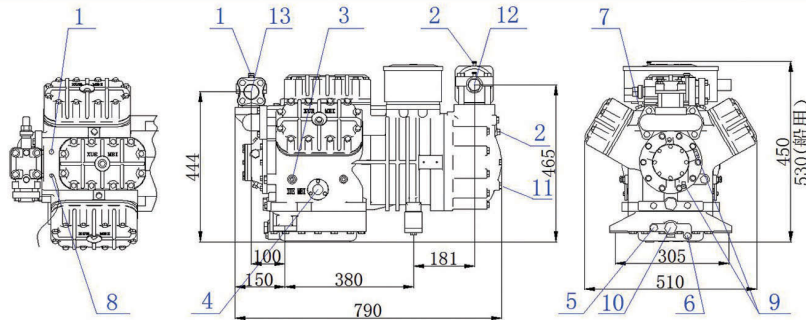
	A (mm)
200-AL-50 (L2H9)、200-AL-60 (L2L13)、300-AL-60 (L3H13)、300-AL-65 (L3L17)	457
400-AL-65 (L4H17)、400-AL-70 (L4L19)、500-AL-70 (L5H19)、500-AL-75 (L5L23)	482



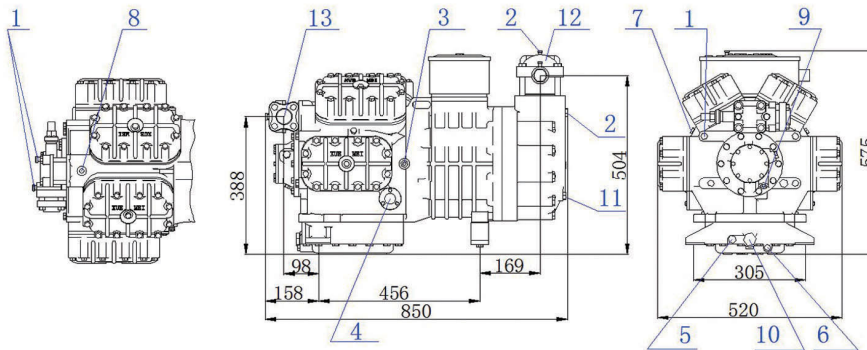
600-AV-34 (V6L34)、1000-AV-34 (V10H34)、800-AV-41 (V8L41)、1200-AV-41 (V12H41)、
1000-AV-48 (V10L48)、1500-AV-48 (V15H48)、1200-AV-56 (V12L56)、2000-AV-56 (V20H56)



	H (vessel use)
1500-AV-71 (V15L71)、2000-AV-86 (V20L86)	440 (510)
2500-AV-71 (V25H71)、3000-AV-86 (V30H86)、2500-AV-103 (V25L103)、3500-AV-103 (V35H103)	460 (530)



2500-AW-106 (W25L106)、3500-AW-106 (W35H106)、3000-AW-129 (W30L129)、4000-AW-129 (W40H129)、
4000-AW-154 (W40L154)、5000-AW-154 (W50H154)



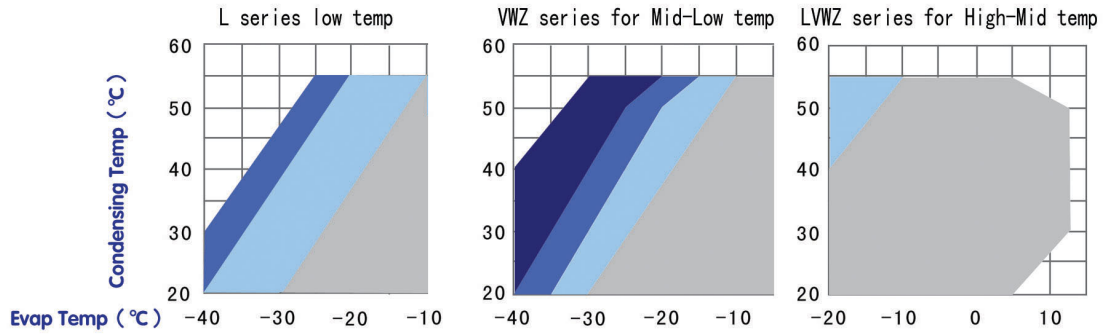
5000-AZ-172 (Z50L172)、6000-AZ-172 (Z60H172)、6000-AZ-205 (Z60L205)、7000-AZ-205 (Z70H205)

Marks

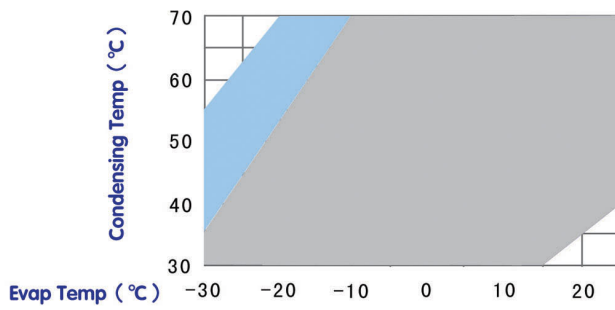
1. high pressure bolt 2. low pressure bolt 3. carnkcase low pressure connector 4. oil level glass (two sides) 5. oil heater
6. oil outlet (L series can also be used as oil heater connector) 7. low pressor bolt (liquid spray device connector) 8. discharge temp sensor
9. high oil pressure difference connector and oil pressure difference checking 10. oil fileter (small V series also the oil outlet)
11. WNZ oil return bolt 12. suction stop valve 13. discharge stop valve

◇ Rang of application

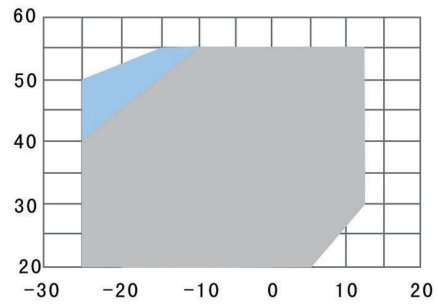
R22 Rang of application



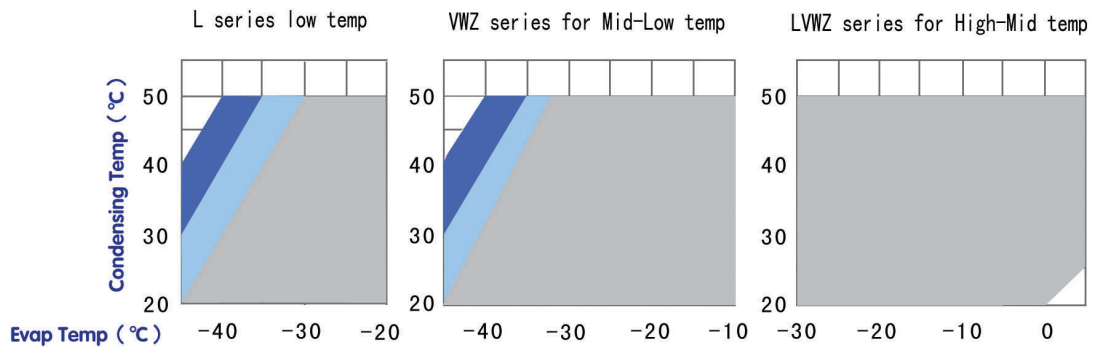
R134a Rang of application



R407C Rang of application



R404A/R507 Rang of application



No any additional condition, Suc. T=20°C	Need to control Suction Temp. Keep the Suction Temp difference <15K
Need to control Suction Temp. Keep the Suction Temp difference <15K, also need to add cylinder head cooling fan	Cylinder head cooling fan and liquid spray device for the system



◆ R22 PARAMETER

Model	Code	Cond. Temp. °C	Under condition of 50Hz, Suc. Temp 20°C or Suc. Temp difference 15K, No sub cooling. Cooling Capacity Q(W), Power (kw)														
			R22 Evap. Temp. °C														
			12.5	10	7	5	0	-5	-10	-15	-20	-25	-30	-35	-40		
200-AL-50	L2H9	30	Q	12500	11450	10280	9500	7850	6450	5200	4100	3180	2420	1780	1280	1000	
		P	1.75	1.79	1.83	1.85	1.85	1.81	1.75	1.65	1.53	1.39	1.25	1.10	0.97		
	40	Q	1110	10150	9130	8450	6980	5780	4680	3760	2930	2200	1590	1080			
		P	2.28	2.28	2.26	2.25	2.18	2.08	1.94	1.78	1.61	1.42	1.24	1.06			
	50	Q	9660	8830	7910	7290	5950	4880	3900	3050	2350	1780	1250				
		P	2.75	2.72	2.66	2.61	2.47	2.29	2.11	1.89	1.68	1.45	1.22				
200-AL-60	L2L13	30	Q							7700	6150	4900	3850	2890	2060	1420	
		P								2.45	2.31	2.13	1.95	1.74	1.51	1.30	
	40	Q								6950	5500	4250	3210	2380	1660		
		P								2.80	2.57	2.32	2.05	1.78	1.51		
	50	Q								4720	3620	2670	1900				
		P								2.78	2.46	2.15	1.80				
300-AL-60	L3H13	30	Q	18300	16800	15270	14250	11950	9900	8020	6440	5020					
		P	2.45	2.54	2.58	2.61	2.63	2.58	2.48	2.29	2.10						
	40	Q	16500	15000	13590	12650	10550	8700	7030	5600	4400						
		P	3.32	3.30	3.25	3.21	3.10	2.96	2.78	2.56	2.32						
	50	Q	14500	13100	11830	10990	9210	7480	6050	4800	3700						
		P	3.85	3.80	3.71	3.65	3.48	3.25	2.98	2.70	2.40						
300-AL-65	L3L17	30	Q							10710	8650	6900	5450	4150	3130	2200	
		P								3.30	3.08	2.82	2.54	2.26	1.98	1.69	
	40	Q								9800	7850	6180	4750	3560	2570	1750	
		P								3.75	3.49	3.14	2.77	2.40	2.05	1.71	
	50	Q								6600	5300	4040	2980				
		P								3.77	3.38	2.98	2.59				
400-AL-65	L4H17	30	Q	23820	22090	20100	18800	15950	13250	10880	8750	6900					
		P	3.35	3.41	3.45	3.48	3.46	3.36	3.20	2.98	2.75						
	40	Q	21200	19600	17830	16650	13950	11580	9480	7600	6000						
		P	4.34	4.32	4.28	4.25	4.10	3.89	3.62	3.32	3.00						
	50	Q	18600	17180	15580	14520	12220	10090	8200	6550	5100						
		P	5.23	5.12	5.02	4.93	4.66	4.34	3.96	3.58	3.18						
400-AL-70	L4L19	30	Q							14750	12050	9730	7670	6000	4600	3400	2390
		P								3.88	3.67	3.44	3.16	2.84	2.52	2.21	1.89
	40	Q								12860	10500	8500	6700	5120	3850	2800	1930
		P								4.62	4.25	3.88	3.50	3.10	2.68	2.28	1.90
	50	Q								11200	9100	7300	5780	4350	3160		
		P								5.28	4.78	4.28	3.78	3.28	2.79		
500-AL-70	L5H19	30	Q	27500	25250	22850	21260	17950	14900	12240	9840	7780					
		P	3.95	3.96	3.95	3.95	3.91	3.78	3.59	3.36	3.09						
	40	Q	24500	22800	20490	18950	15780	12970	10580	8470	6630						
		P	4.98	4.95	4.86	4.80	4.60	4.32	4.01	3.68	3.32						
	50	Q	21870	20050	18030	16680	13840	11290	9100	7260	5640						
		P	6.05	5.85	5.71	5.62	5.28	4.88	4.42	3.98	3.53						
500-AL-75	L5L23	30	Q							16650	13600	11100	9090	7270	5600	4190	2980
		P								4.61	4.40	4.10	3.80	3.46	3.10	2.70	2.30
	40	Q								14800	12260	10000	8000	6320	4850	3540	2500
		P								5.35	5.00	4.58	4.15	3.72	3.28	2.80	2.35
	50	Q								13240	11020	8970	7210	5550	4120	2950	
		P								6.01	5.45	4.91	4.35	3.82	3.25	2.70	
600-AV-34	V6L34	30	Q							24650	20190	16380	13080	10270	7840	5820	4130
		P								6.17	5.83	5.42	4.96	4.44	3.91	3.34	2.76
	40	Q								21760	17770	14330	11360	8760	6600	4750	3210
		P								7.13	6.60	6.03	5.42	4.79	4.20	3.52	2.78
	50	Q								18820	15300	12240	9460	7170	5220	3600	
		P								8.01	7.31	6.56	5.83	5.07	4.27	3.45	
1000-AV-34	V10H34	30	Q	46750	43050	38830	36020	29990	24750	20240	16290	12910					
		P	5.93	6.04	6.12	6.15	6.13	5.97	5.71	5.34	4.90						
	40	Q	41360	37980	34790	31850	26460	21810	17750	14240	11210						
		P	7.67	7.64	7.58	7.48	7.21	6.84	6.39	5.86	5.28						
	50	Q	36110	33120	30330	27690	22930	18810	15220	12120	9460						
		P	9.30	9.14	8.95	8.74	8.25	7.69	7.06	6.38	5.65						
800-AV-41	V8L41	30	Q							30090	24700	20040	16040	12620	9630	7170	5120
		P								7.56	7.15	6.67	6.10	5.48	4.82	4.15	3.47
	40	Q								26560	21660	17480	13870	10680	8040	5800	3930
		P								8.68	8.04	7.36	6.64	5.96	5.24	4.46	3.63
	50	Q								22930	18660	14950	11640	8870	6510	4520	
		P								9.73	8.88	8.00	7.14	6.30	5.43	4.52	

R22 PARAMETER

Model	Code	Cond. Temp. °C	Under condition of 50Hz, Suc. Temp 20°C or Suc. Temp difference 15K, No sub cooling, Cooling Capacity Q(W), Power (kw)													
			R22										Evap. Temp. °C			
			12.5	10	7	5	0	-5	-10	-15	-20	-25	-30	-35	-40	
1200-AV-41	V12H41	30	Q	55960	51350	47140	43120	35970	29740	24300	19650	15610				
			P	7.14	7.29	7.38	7.43	7.42	7.25	6.93	6.50	5.96				
	40	Q	49780	45670	41850	38320	31850	26260	21410	17190	13560					
		P	9.39	9.35	9.23	9.15	8.82	8.37	7.82	7.19	6.49					
	50	Q	43510	39980	36510	33370	27640	22690	18390	14680	11500					
		P	11.46	11.25	11.01	10.74	10.14	9.45	8.68	7.86	6.98					
1000-AV-48	V10L48	30	Q						34940	28670	23230	18560	14560	11100	8220	5800
			P						8.74	8.31	7.75	7.10	6.35	5.65	4.86	4.10
	40	Q						30770	25140	20290	16060	12390	9310	6710	4540	
		P						10.08	9.35	8.54	7.68	6.79	5.88	5.00	4.16	
	50	Q						26710	21710	17350	13520	10290	7550	5220		
		P						11.30	10.29	9.24	8.23	7.15	6.10	5.10		
1500-AV-48	V15H48	30	Q	67030	61540	56350	51650	42920	35430	28910	23280	18430				
			P	8.62	8.75	8.82	8.84	8.75	8.49	8.08	7.53	6.88				
	40	Q	59680	54680	50080	45820	38070	31310	25430	20380	16020					
		P	11.02	10.94	10.82	10.65	10.23	9.68	9.03	8.28	7.46					
	50	Q	52230	47870	43810	39980	33120	27150	21950	17490	13660					
		P	13.31	13.02	12.70	12.36	11.62	10.82	9.94	9.00	8.01					
1200-AV-56	V12L56	30	Q						40330	33080	26850	21460	16860	12730	9410	6620
			P						10.36	9.79	9.10	8.30	7.41	6.51	5.60	4.71
	40	Q						35920	29350	23670	18780	14410	10820	7800	5290	
		P						11.86	10.97	10.00	8.96	7.93	6.89	5.87	4.92	
	50	Q						31360	25530	20430	15830	12020	8800	6080		
		P						13.22	12.04	10.80	9.59	8.37	7.18	6.04		
2000-AV-56	V20H56	30	Q	77520	71150	65270	59680	49780	41060	33520	27050	21460				
			P	10.97	10.99	10.96	10.90	10.65	10.27	9.74	9.08	8.30				
	40	Q	69190	63140	58110	53120	44100	36260	29450	23570	18530					
		P	13.61	13.48	13.30	13.07	12.48	11.74	10.88	9.92	8.89					
	50	Q	60560	55570	50860	46400	38420	31510	25480	20240	15730					
		P	16.29	15.94	15.54	15.10	14.13	13.04	11.86	10.62	9.34					
1500-AV-71	V15L71	30	Q						49500	40500	32500	26100	20400	15700	11700	8400
			P						13.50	12.60	11.65	10.60	9.55	8.50	7.60	6.50
	40	Q						44000	36000	28700	22700	17500	13250	9700	6800	
		P						15.64	14.50	13.32	11.90	10.6	9.25	7.96	6.65	
	50	Q						31760	25250	19700	14890	10840				
		P						16.40	14.80	13.22	11.50	9.74				
2500-AV-71	V25H71	30	Q	94500	87000	78800	73400	60500	50300	41000	32700	26000				
			P	13.44	13.60	13.66	13.68	13.42	12.96	12.22	11.20	10.22				
	40	Q	86250	79160	71500	66220	55100	44880	36150	28800	22500					
		P	17.32	17.20	16.98	16.68	16.00	15.00	13.84	12.58	11.35					
	50	Q	75950	69580	63960	58310	48400	39690	32150	25000	19100					
		P	20.50	20.20	19.65	19.30	18.20	16.82	15.35	13.93	12.22					
2000-AV-86	V20L86	30	Q						60000	48900	39400	31360	24480	18560	13710	9520
			P						16.45	15.25	14.05	12.67	11.31	9.95	8.68	7.40
	40	Q						52350	42690	34050	26840	20740	15550	11330	7850	
		P						18.85	17.28	15.71	14.03	12.46	10.95	9.40	7.80	
	50	Q						45740	36600	29170	22670	17180	12710			
		P						21.25	19.36	17.36	15.47	13.57	11.68			
3000-AV-86	V30H86	30	Q	116520	107000	97000	89600	74200	60800	49250	39800	31200				
			P	16.75	16.80	16.80	16.62	16.20	15.52	14.70	13.62	12.34				
	40	Q	103600	95140	86680	79200	65750	54050	44000	35100	27090					
		P	21.25	21.05	20.61	20.31	19.37	18.22	16.86	15.29	13.72					
	50	Q	92200	84300	77000	70350	58000	47600	38000	29640	23000					
		P	25.34	24.81	24.12	23.52	22.00	20.32	18.53	16.72	14.96					
2500-AV-103	V25L103	30	Q						71910	58670	47320	37590	29270	22520	16520	11510
			P						19.72	18.72	17.51	16.01	14.41	12.71	11.01	9.41
	40	Q						63160	51690	41800	33040	25260	18900	13470	9130	
		P						22.83	21.38	19.53	17.49	15.40	13.56	11.51	9.13	
	50	Q						55870	45670	36440	28330	21380	15610			
		P						25.73	23.94	21.92	19.73	17.30	14.72			
3500-AV-103	V35H103	30	Q	136300	125160	114730	104900	87400	72220	58960	47540	37760				
			P	20.89	20.76	20.55	20.15	19.41	18.47	17.36	16.08	14.62				
	40	Q	123066	112910	103490	94610	78659	64760	52670	42270	33330					
		P	25.07	24.89	24.48	24.00	23.13	21.86	20.50	18.85	17.20					
	50	Q	110531	101300	92700	84780	70205	57620	46620	37120	29010					
		P	30.03	29.35	28.57	27.98	26.33	24.49	22.54	20.41	18.37					



R22 PARAMETER

Model	Code	Cond. Temp. °C	Under condition of 50Hz, Suc. Temp 20°C or Suc. Temp difference 15K, No sub cooling. Cooling Capacity Q(W), Power (kw)														
			R22							Evap. Temp. °C							
			12.5	10	7	5	0	-5	-10	-15	-20	-25	-30	-35	-40		
2500-AW-106	W25L106	30	Q						74000	60380	48700	38680	30120	23180	17000	11850	
		P						20.29	19.26	18.03	16.48	14.83	13.08	11.33	9.68		
	40	Q						65000	53200	43020	34000	26000	19450	13860	9400		
		P						23.50	22.00	20.10	18.00	15.85	13.95	11.85	9.40		
	50	Q						57500	47000	37500	29150	22000	16060				
		P						26.48	24.64	22.56	20.30	17.80	15.15				
3500-AW-106	W35H106	30	Q	140270	128800	118070	108000	89940	74320	60680	48920	38860					
		P	21.50	21.36	21.15	20.74	19.98	19.01	17.87	16.55	15.05						
	40	Q	126650	116200	106500	97370	80950	66650	54200	43500	34300						
		P	25.80	25.61	25.19	24.70	23.80	22.50	21.10	19.40	17.70						
	50	Q	113750	104250	95400	87250	72250	59300	47980	38200	29850						
		P	30.90	30.20	29.40	28.80	27.10	25.20	23.20	21.00	18.90						
3000-AW-129	W30L129	30	Q						88400	72800	58850	47100	36800	28000	20800	14580	
		P						26.00	23.95	21.90	19.85	17.80	15.68	13.80	11.50		
	40	Q						79000	64400	51480	40760	31400	23520	17000	11300		
		P						29.20	26.84	24.50	21.80	19.40	16.95	14.41	11.20		
	50	Q						69450	56200	44860	34800	26400	19380				
		P						32.20	29.70	27.04	24.00	20.95	17.88				
4000-AW-129	W40H129	30	Q	171250	157150	144000	131500	109700	90600	73950	59500	46800					
		P	25.45	25.56	25.30	25.05	24.50	23.60	22.30	20.70	19.00						
	40	Q	154500	141700	129500	118600	98500	81050	65000	52100	41200						
		P	31.80	31.50	31.00	30.50	29.12	27.45	25.50	23.52	21.50						
	50	Q	138000	126500	116000	106000	87000	71100	57050	45250	35150						
		P	37.60	37.02	36.20	35.40	33.50	31.20	28.80	26.04	23.20						
4000-AW-154	W40L154	30	Q						106960	87960	71470	56980	44480	33990	25390	17800	
		P						29.34	27.67	25.70	23.62	21.33	19.04	16.54	14.15		
	40	Q						95460	77970	62480	49480	38480	28890	21190	14790		
		P						34.02	31.52	28.92	26.11	23.3	20.39	17.58	14.77		
	50	Q						85070	69170	55580	43580	33240	24440				
		P						38.77	35.41	32.04	28.58	25.11	21.75				
5000-AW-154	W50H154	30	Q	202900	186500	169900	155500	129200	106700	87000	68800	54600					
		P	33.00	32.50	31.92	31.30	29.80	28.25	26.50	24.30	22.00						
	40	Q	181500	166500	152500	139400	116000	95000	77000	62000	48550						
		P	39.55	39.20	38.60	37.60	35.95	33.73	31.02	28.22	25.22						
	50	Q	161100	147600	135100	123400	102300	83850	68100	54650	43100						
		P	45.80	44.90	43.95	42.95	40.60	37.88	34.50	31.00	27.50						
5000-AZ-172	Z50L172	30	Q						144500	119800	98520	80050	63820	49820	38070	28440	19940
		P						34.5	32.86	30.99	28.78	26.45	23.89	21.32	18.52	15.85	
	40	Q						130000	106920	87330	69980	55420	43100	32360	23730	16560	
		P						40.9	38.10	35.30	32.39	29.24	26.10	22.84	19.69	16.54	
	50	Q						116000	95280	77470	62250	48810	37230	27370			
		P						47.2	43.42	39.66	35.88	32.00	28.12	24.36			
6000-AZ-172	Z60H172	30	Q	228800	210000	191660	177400	146350	120200	97600	78500	63000					
		P	32.52	33.01	33.40	33.59	33.49	32.81	31.54	29.78	27.63						
	40	Q	205700	189840	172500	159150	133100	110500	90400	73150	55400						
		P	41.90	41.80	41.50	41.00	39.65	37.80	35.54	32.91	30.20						
	50	Q	181100	167330	152250	140360	117100	97320	79150	61820	49220						
		P	50.48	49.70	48.73	47.65	45.11	42.38	39.65	37.19	35.23						
6000-AZ-205	Z60L205	30	Q						172740	143200	117770	95690	76290	59550	45510	33990	23830
		P						41.24	39.28	37.05	34.41	31.62	28.56	25.49	22.14	18.94	
	40	Q						155400	127810	104390	83650	66250	51520	38680	28370	19800	
		P						48.89	45.55	42.20	38.72	34.96	31.20	27.30	23.54	19.77	
	50	Q						138670	113900	92610	74410	58350	44500	32720			
		P						56.42	51.91	47.41	42.9	38.26	33.62	29.12			
7000-AZ-205	Z70H205	30	Q	262390	241520	221930	203610	170520	141630	116480	94510	75460					
		P	40.62	41.30	41.80	42.00	41.70	40.72	39.10	36.80	34.18						
	40	Q	236330	217370	199510	182920	152660	126230	102990	82760	64890						
		P	52.44	52.24	51.85	51.27	49.51	47.17	44.14	40.72	36.95						
	50	Q	209800	192760	176810	161770	134520	110460	89230	70450	53860						
		P	62.89	61.91	60.74	59.47	56.34	52.63	48.53	44.16	39.53						

◆ R134a PARAMETER

Model	Code	Cond. Temp. °C		Under condition of 50Hz, Suc. Temp 20°C or Suc. Temp difference 15K, No sub cooling. Cooling Capacity Q(W), Power (kw)									
				R22					Evap. Temp. °C				
				12.5	10	7	5	0	-5	-10	-15	-20	
200-AL-50X	L2H9X	50	Q	6000	5460	4940	4480	3630	2910	2280	1750	1300	
			P	1.78	1.73	1.69	1.64	1.55	1.43	1.31	1.17	1.03	
		60	Q	5080	4620	4180	3780	3050	2430	1890	1430	1040	
			P	2.02	1.95	1.89	1.82	1.68	1.54	1.38	1.21	1.04	
		70	Q	4210	3820	3450	3120	2500	1980	1530	1150	820	
			P	2.23	2.15	2.06	1.99	1.81	1.62	1.44	1.24	1.04	
300-AL-60X	L3H13X	50	Q	8400	7640	6930	6280	5100	4090	3230	2490	1870	
			P	2.38	2.32	2.26	2.20	2.05	1.89	1.72	1.52	1.32	
		60	Q	7220	6570	5950	5380	4360	3480	2720	2080	1530	
			P	2.67	2.59	2.51	2.43	2.25	2.07	1.85	1.62	1.36	
		70	Q	6080	5510	5000	4520	3640	2890	2250	1700	1230	
			P	2.97	2.87	2.77	2.67	2.46	2.22	1.98	1.69	1.39	
400-AL-65X	L4H17X	50	Q	11630	10580	9610	8710	7090	5700	4510	3500	2650	
			P	3.28	3.19	3.09	2.98	2.77	2.53	2.27	2.00	1.71	
		60	Q	9970	9070	8230	7440	6040	4830	3790	2910	2160	
			P	3.67	3.55	3.43	3.31	3.04	2.75	2.44	2.12	1.78	
		70	Q	8380	7600	6890	6230	5030	4000	3130	2380	1750	
			P	4.06	3.90	3.76	3.61	3.29	2.95	2.60	2.23	1.84	
500-AL-70X	L5H19X	50	Q	12790	11630	10550	9530	7730	6180	4850	3710	2760	
			P	3.52	3.43	3.33	3.23	3.00	2.74	2.47	2.17	1.84	
		60	Q	11000	9990	9050	8180	6610	5250	4090	3100	2270	
			P	3.96	3.85	3.71	3.58	3.31	3.00	2.67	2.30	1.92	
		70	Q	9230	8380	7580	6850	5520	4360	3370	2530	1800	
			P	4.40	4.24	4.09	3.93	3.60	3.24	2.84	2.42	1.97	
1000-AV-34X	V10H34X	50	Q	23720	21510	19460	17540	14120	11170	8650	6520	4700	
			P	6.37	6.21	6.03	5.82	5.35	4.81	4.22	3.62	3.00	
		60	Q	19890	17990	16240	14600	11660	9130	6970	5140	3580	
			P	7.13	6.86	6.59	6.29	5.67	5.01	4.31	3.61	2.90	
		70	Q	16110	14550	13090	11740	9310	7210	5420	3890	2610	
			P	7.65	7.31	6.96	6.60	5.85	5.09	4.33	3.55	2.81	
1200-AV-41X	V12H41X	50	Q	28520	25870	23420	21120	17040	13530	10540	7980	5820	
			P	7.74	7.55	7.33	7.09	6.53	5.90	5.18	4.50	3.77	
		60	Q	23960	21710	19590	17640	14130	11110	8540	6330	4470	
			P	8.74	8.43	8.10	7.74	6.99	6.20	5.37	4.53	3.69	
		70	Q	19450	17590	15850	14230	11310	8790	6630	4780	3220	
			P	9.42	9.01	8.58	8.15	7.25	6.32	5.40	4.46	3.53	
1500-AV-48X	V15H48X	50	Q	34010	30820	27880	25140	20240	16020	12430	9370	6790	
			P	9.04	8.80	8.53	8.24	7.58	6.85	6.06	5.22	4.37	
		60	Q	28670	25970	23420	21070	16830	13180	10070	7400	5160	
			P	10.09	9.72	9.33	8.93	8.06	7.15	6.19	5.20	4.19	
		70	Q	23370	21120	18990	17030	13500	10440	7800	5560	3650	
			P	10.90	10.42	9.93	9.42	8.38	7.30	6.18	5.04	3.87	
2000-AV-56X	V20H56X	50	Q	39450	35770	32340	29200	23470	18590	14400	10820	7780	
			P	10.73	10.41	10.06	9.69	8.89	8.00	7.06	6.06	5.04	
		60	Q	33220	30040	27100	24350	19450	15220	11590	8520	5900	
			P	12.00	11.54	11.04	10.53	9.46	8.34	7.19	6.02	4.84	
		70	Q	26950	24350	21900	19600	15520	12000	8970	6390	4210	
			P	12.97	12.37	11.76	11.14	9.86	8.55	7.23	5.92	4.66	
2500-AV-71X	V25H71X	50	Q	50850	46110	41740	37690	30460	24250	19040	14640	10960	
			P	13.63	13.00	12.39	11.80	10.67	9.58	8.53	7.50	6.48	
		60	Q	44270	40140	36280	32710	26320	20870	16280	12400	9170	
			P	14.89	14.13	13.39	12.68	11.33	10.03	8.80	7.61	6.46	
		70	Q	37840	34260	30930	27820	22330	17620	13630	10280	7500	
			P	15.93	15.06	14.22	13.39	11.84	10.38	8.98	7.66	6.39	
3000-AV-86X	V30H86X	50	Q	61500	55800	50500	45650	36950	29500	23200	17870	13430	
			P	16.89	16.19	15.50	14.81	13.43	12.08	10.73	9.39	8.05	
		60	Q	53700	48650	44000	39700	32000	25450	19890	15210	11300	
			P	18.53	17.64	16.76	15.90	14.22	12.59	11.01	9.48	7.98	
		70	Q	45900	41600	37600	33850	27200	21550	16720	12680	9320	
			P	20.18	19.07	18.00	16.96	14.96	13.08	11.29	9.58	7.93	
3500-AV-103X	V35H103X	50	Q	74080	67230	60830	54990	44390	35440	27770	21370	15990	
			P	19.91	18.97	18.09	17.22	15.56	13.98	12.45	10.95	9.47	
		60	Q	64580	58550	52890	47680	38410	30510	23750	18090	13380	
			P	21.74	20.59	19.53	18.51	16.52	14.63	12.83	11.10	9.43	
		70	Q	55170	49960	45120	40598	32560	25710	19870	15000	10940	
			P	23.28	21.93	20.78	19.53	17.27	15.13	13.10	11.17	9.31	



◇ R134a PARAMETER

Model	Code	Cond. Temp. °C	Under condition of 50Hz, Suc. Temp 20°C or Suc. Temp difference 15K, No sub cooling. Cooling Capacity Q(W), Power (kw)								
			R22					Evap. Temp. °C			
			12.5	10	7	5	0	-5	-10	-15	-20
3500-AW-106X W3FH106X	50	Q	76230	69180	62600	56590	45680	36470	28580	22000	16460
		P	20.49	19.52	18.61	17.72	16.02	14.38	12.81	11.27	9.74
	60	Q	66460	60250	54430	49070	39530	31400	24440	18620	13770
		P	22.37	21.19	20.10	19.05	17.00	15.06	13.21	11.42	9.70
	70	Q	56780	51420	46440	41780	33510	26260	20450	15440	11260
		P	23.96	22.57	21.38	20.10	17.77	15.57	13.48	11.49	9.58
4000-AW-129X W4QH129X	50	Q	92300	83800	75800	68500	55400	44250	34800	26800	20150
		P	25.31	24.26	23.21	22.26	20.16	18.12	16.10	14.09	12.09
	60	Q	80500	73000	66000	59600	48050	38200	29850	22800	16960
		P	27.83	26.46	25.20	23.84	21.32	18.89	16.53	14.23	11.98
	70	Q	68900	62400	56400	50800	40850	32300	25100	19020	13980
		P	30.24	28.67	26.99	25.41	22.47	19.64	16.94	14.37	11.90
5000-AW-154X W5QH154X	50	Q	108700	98700	89500	80900	65600	52500	41450	32100	24250
		P	30.77	29.40	28.04	26.67	24.05	21.525	19.05	16.64	14.29
	60	Q	95000	86300	78100	70600	57100	45550	35750	27500	20650
		P	34.23	32.34	30.56	28.88	25.62	22.47	19.60	16.85	14.23
	70	Q	81500	74000	66900	60400	48750	38750	30300	23200	17250
		P	36.96	34.76	32.76	30.77	27.09	23.625	20.36	17.31	14.41
6000-AZ-172X Z6QH172X	50	Q	115710	105150	95400	86280	69980	55940	43920	33620	24920
		P	33.86	32.89	31.79	30.58	27.88	24.97	22.03	19.22	16.71
	60	Q	98310	89290	80820	72980	58860	46650	36130	27110	19410
		P	37.64	36.20	34.65	33.00	29.54	26.04	22.69	19.69	17.24
	70	Q	80910	73350	66330	59680	47840	37450	28520	20870	14280
		P	40.77	38.89	36.94	34.92	30.84	26.93	23.39	20.50	18.49
7000-AZ-205X Z7QH205X	50	Q	134900	122720	111450	101000	82180	65820	51820	39730	29410
		P	39.54	38.49	37.28	35.91	32.84	29.48	26.03	22.69	19.68
	60	Q	114360	103900	94270	85180	68910	54730	42500	31910	22820
		P	43.89	42.31	40.58	38.71	34.75	30.67	26.72	23.15	20.21
	70	Q	93720	85090	77000	69450	55730	43770	33360	24320	16440
		P	47.30	45.23	43.03	40.74	36.07	31.50	27.34	23.90	21.48

◇ R404A/R507A PARAMETER

Model	Code	Cond. Temp. °C	Under condition of 50Hz, Suc. Temp 20°C or Suc. Temp difference 15K, No sub cooling. Cooling Capacity Q(W), Power (kw)												
			R22								Evap. Temp. °C				
			7	5	0	-5	-10	-15	-20	-25	-30	-35	-40	-45	
200-AL-50X	L2H9X	30	Q	10970	10150	8430	6940	5630	4470	3490	2680	2010	1460	1170	
			P	2.18	2.19	2.18	2.14	2.05	1.91	1.77	1.61	1.45	1.27	1.12	
		40	Q	9300	8620	7150	5930	4820	3900	3060	2320	1710	1190		
			P	2.66	2.63	2.54	2.42	2.24	2.04	1.84	1.61	1.38	1.18		
		50	Q	7560	6980	5730	4710	3760	2960	2310	1770	1280			
			P	3.04	2.97	2.80	2.58	2.38	2.11	1.86	1.58	1.28			
200-AL-60X	L2L13X	30	Q						6700	5380	4270	3260	2350	1660	1260
			P						2.68	2.47	2.26	2.02	1.74	1.50	1.18
		40	Q							4440	3380	2560	1820	1400	
			P							2.65	2.32	1.98	1.68	1.38	
		50	Q							3560	2660	1950			
			P							2.72	2.35	1.94			
300-AL-60X	L3H13X	30	Q	16300	15230	12830	10660	8680	7010	5510					
			P	3.07	3.08	3.09	3.05	2.90	2.65	2.43					
		40	Q	13840	12900	10810	8930	7250	5810	4600					
			P	3.82	3.76	3.61	3.45	3.22	2.94	2.65					
		50	Q	11300	10520	8860	7220	5840	4660	3640					
			P	4.24	4.16	3.94	3.66	3.36	3.02	2.66					
300-AL-65X	L3L17X	30	Q					11590	9420	7580	6050	4690	3570	2570	1730
			P					3.86	3.57	3.26	2.94	2.62	2.28	1.94	1.60
		40	Q							8140	6460	5010	3830	2820	1990
			P							4.01	3.58	3.14	2.68	2.28	1.90
		50	Q							6410	5210	4020	3050		
			P							4.22	3.74	3.25	2.79		
400-AL-65X	L4H17X	30	Q	21450	20100	17120	14260	11770	9530	7580					
			P	4.11	4.11	4.07	3.98	3.75	3.45	3.18					
		40	Q	18160	16980	14290	11880	9770	7880	6270					
			P	5.03	4.98	4.77	4.53	4.19	3.81	3.42					
		50	Q	14890	13900	11760	9740	7910	6360	5010					
			P	5.73	5.61	5.28	4.88	4.46	4.01	3.52					
400-AL-70X	L4L19X	30	Q				15880	13040	10600	8420	6660	5190	3880	2790	1930
			P				4.59	4.30	3.98	3.66	3.29	2.93	2.55	2.17	1.78
		40	Q				13190	10820	8820	7000	5400	4140	3080	2190	
			P				5.38	4.92	4.46	3.99	3.51	2.99	2.53	2.11	
		50	Q				8780	7090	5680	4330	3240				
			P				5.39	4.79	4.18	3.58	3.01				
500-AL-70X	L5H19X	30	Q	24390	22720	19260	16040	13240	10720	8540					
			P	4.71	4.67	4.60	4.47	4.20	3.89	3.58					
		40	Q	20860	19330	16160	13310	10910	8790	6930					
			P	5.71	5.62	5.35	5.03	4.64	4.23	3.79					
		50	Q		15970	13320	10900	8780	7050	5550					
			P		6.40	5.98	5.49	4.98	4.45	3.91					
500-AL-75X	L5L23X	30	Q				17920	14720	12090	9980	8060	6320	4780	3480	2400
			P				5.45	5.15	4.75	4.40	4.01	3.60	3.11	2.65	2.20
		40	Q				15180	12640	10370	8360	6660	5220	3890	2840	
			P				6.23	5.78	5.26	4.73	4.21	3.66	3.11	2.61	
		50	Q				10640	8710	7090	5520	4220	3130			
			P				6.14	5.49	4.81	4.17	3.50	2.89			
600-AV-34X	V6L34X	30	Q				26530	21850	17840	14360	11390	8850	6630	4830	3360
			P				7.30	6.82	6.28	5.74	5.15	4.54	3.85	3.17	2.55
		40	Q				22320	18320	14860	11870	9240	7100	5220	3640	2310
			P				8.31	7.63	6.93	6.18	5.42	4.68	3.91	3.09	2.25
		50	Q				18170	14770	11880	9300	7140	5350	3820		
			P				9.01	8.24	7.34	6.45	5.54	4.60	3.69		
1000-AV-34X	V10H34X	30	Q	41440	38500	32190	26640	21900	17740	14170					
			P	7.29	7.26	7.21	7.06	6.68	6.18	5.67					
		40	Q	35420	32490	27100	22370	18300	14770	11710					
			P	8.91	8.76	8.39	7.97	7.39	6.73	6.02					
		50	Q	28980	26510	22060	18160	14690	11760	9300					
			P	10.22	9.95	9.34	8.65	7.96	7.14	6.25					
800-AV-41X	V8L41X	30	Q				32390	26730	21830	17610	14000	10870	8170	5980	4140
			P				8.94	8.37	7.72	7.06	6.35	5.60	4.78	3.99	3.20
		40	Q				27250	22330	18130	14490	11260	8650	6370	4460	
			P				10.11	9.30	8.45	7.57	6.75	5.84	4.95	4.03	
		50	Q				22130	18010	14510	11440	8830	6670			
			P				10.94	10.01	8.95	7.90	6.88	5.85			



◆ R404A/R507A PARAMETER

Model	Code	Cond. Temp. °C	Under condition of 50Hz, Suc. Temp 20°C or Suc. Temp difference 15K, No sub cooling. Cooling Capacity Q(W), Power (kw)												
			R22 Evap. Temp. °C												
			7	5	0	-5	-10	-15	-20	-25	-30	-35	-40	-45	
1200-AV-41X	V12H41X	30	Q	50310	46090	38600	32010	26290	21400	17140					
		P	8.79	8.78	8.73	8.58	8.11	7.53	6.90						
	40	Q	42610	39080	32630	26940	22070	17830	14170						
		P	10.85	10.71	10.26	9.75	9.05	8.26	7.40						
		Q	34890	31950	26590	21900	17750	14250	11310						
		P	12.57	12.23	11.48	10.63	9.79	8.79	7.72						
1000-AV-48X	V10L48X	30	Q				37610	31020	25300	20380	16150	12530	9370	6780	4710
		P				10.34	9.73	8.98	8.22	7.36	6.56	5.60	4.72	3.89	
	40	Q				31570	25910	21040	16780	13060	10020	7370	5150	3340	
		P				11.75	10.81	9.81	8.76	7.68	6.56	5.55	4.62	3.30	
		Q					20950	16840	13290	10240	7740	5540			
		P					11.60	10.34	9.10	7.81	6.57	5.46			
1500-AV-48X	V15H48X	30	Q	60140	55210	46060	38130	31280	25360	20230					
		P	10.51	10.44	10.29	10.05	9.46	8.72	7.97						
	40	Q	50990	46730	39000	32120	26210	21140	16740						
		P	12.72	12.47	11.90	11.28	10.44	9.51	8.51						
		Q	41860	38280	31870	26210	21180	16980	13430						
		P	14.50	14.07	13.16	12.17	11.21	10.07	8.86						
1200-AV-56X	V12L56X	30	Q				43410	35790	29240	23560	18700	14370	10730	7740	5420
		P				12.26	11.46	10.54	9.61	8.59	7.56	6.45	5.42	4.35	
	40	Q				36850	30250	24550	19620	15190	11640	8570	6010	3910	
		P				13.82	12.69	11.48	10.22	8.97	7.68	6.52	5.46	3.90	
		Q					24640	19830	15560	11960	9020	6450			
		P					13.57	12.08	10.61	9.14	7.74	6.45			
2000-AV-56X	V20H56X	30	Q	69650	63790	53430	44190	36270	29460	23560					
		P	13.06	12.88	12.53	12.15	11.40	10.52	9.61						
	40	Q	59170	54180	45170	37200	30360	24450	19360						
		P	15.63	15.30	14.52	13.68	12.58	11.39	10.14						
		Q	48600	44420	36970	30420	24590	19650	15470						
		P	17.74	17.19	16.00	14.67	13.37	11.88	10.33						
1500-AV-71X	V15L71X	30	Q				53280	43820	35400	28660	22630	17720	13340	9810	6830
		P				15.97	14.75	13.49	12.27	11.07	9.87	8.76	7.48	5.98	
	40	Q				45140	37110	29770	23720	18450	14260	10660	7720	5550	
		P				18.22	16.77	15.30	13.57	11.99	10.31	8.84	7.38	5.54	
		Q					30650	24510	19370	14820	11110				
		P					18.49	16.56	14.63	12.56	10.49				
2500-AV-71X	V25H71X	30	Q	84090	78460	64930	54140	44360	35620	28550					
		P	16.28	16.16	15.78	15.33	14.31	12.97	11.83						
	40	Q	72800	67540	56440	46040	37260	29870	23510						
		P	19.96	19.53	18.61	17.48	16.01	14.45	12.94						
		Q	61120	55830	46570	38310	31030	24270	18780						
		P	22.43	21.97	20.61	18.92	17.30	15.59	13.52						
2000-AV-86X	V20L86X	30	Q				64580	52910	42910	34430	27150	20950	15630	11120	7880
		P				19.46	17.85	16.27	14.67	13.11	11.56	10.00	8.51	6.48	
	40	Q				53700	44000	35320	28050	21870	16730	12450			
		P				21.97	19.99	18.04	16.00	14.10	12.21	10.43			
		Q				44150	35320	28310	22290	17100	13020				
		P				23.90	21.82	19.42	17.11	14.82	12.59				
3000-AV-86X	V30H86X	30	Q	103520	95770	79630	65440	53290	43350	34250					
		P	20.02	19.63	19.05	18.36	17.21	15.77	14.29						
	40	Q	88260	80780	67350	55450	45350	36410	28310						
		P	24.22	23.78	22.53	21.23	19.50	17.56	15.64						
		Q	73580	67350	55800	45950	36670	28770	22610						
		P	27.53	26.78	24.91	22.86	20.89	18.71	16.55						
2500-AV-103X	V25L103X	30	Q				77400	63480	51540	41270	32470	25420	18830	13450	9520
		P				23.33	21.91	20.28	18.54	16.71	14.76	12.69	10.82	8.66	
	40	Q				64790	53280	43350	34530	26630	20330	14800	10370		
		P				26.60	24.73	22.43	19.94	17.43	15.12	12.78	10.13		
		Q				53930	44080	35370	27850	21280	15990				
		P				28.94	26.99	24.53	21.83	18.89	15.86				
3500-AV-103X	V35H103X	30	Q	122440	11220	93790	77730	63800	51770	41460					
		P	24.49	23.81	22.84	21.86	20.33	18.62	16.93						
	40	Q	105370	96500	80570	66440	54290	43840	34830						
		P	28.77	28.10	26.90	25.48	23.72	21.65	19.61						
		Q	88580	81170	67550	55620	45000	36030	28520						
		P	32.61	31.86	29.82	27.54	25.41	22.83	20.32						

◇ R404A/R507A PARAMETER

Model	Code	Cond. Temp. °C	Under condition of 50Hz, Suc. Temp 20°C or Suc. Temp difference 15K, No sub cooling, Cooling Capacity Q(W), Power (kw)											
			R22 Evap. Temp. °C											
			7	5	0	-5	-10	-15	-20	-25	-30	-35	-40	-45
2500-AW-106X W25L106X	30	Q				79640	65330	53040	42470	33410	26170	19380	13850	9700
		P				24.01	22.55	20.88	19.08	17.19	15.19	13.05	11.13	8.91
	40	Q				66680	54840	44620	35530	27410	20930	15230	10670	
		P				27.38	25.45	23.08	20.52	17.94	15.55	13.15	10.43	
	50	Q				55500	45360	36400	28660	21900	16450			
		P				29.79	27.78	25.24	22.46	19.44	16.32			
3500-AW-106X W35H106X	30	Q	126000	11540	96530	79990	65650	53280	42660					
		P	25.20	24.50	23.50	22.49	20.92	19.17	17.42					
	40	Q	108440	99310	82920	68370	55870	45120	35840					
		P	29.60	28.92	27.68	26.22	24.41	22.28	20.18					
	50	Q	91160	83530	69510	57240	46310	37080	29350					
		P	33.56	32.79	30.69	28.35	26.15	23.50	20.91					
3000-AW-129X W30L129X	30	Q				95140	78770	64100	51710	40820	31610	23710	17040	11930
		P				30.76	28.04	25.36	22.98	20.64	18.21	15.90	13.23	10.58
	40	Q				81040	66420	53390	42590	33100	25310	18680	12830	
		P				34.03	31.05	28.14	24.86	21.96	18.90	16.00	12.43	
	50	Q				67040	54240	43540	34220	26280	19860			
		P				36.22	33.48	30.26	26.55	22.88	19.27			
4000-AW-129X W40H129X	30	Q	153670	140560	117730	97510	80010	64810	51380					
		P	30.14	29.59	28.82	27.92	26.11	23.97	22.00					
	40	Q	131860	120960	100900	83150	67000	54040	43050					
		P	36.43	35.71	33.87	31.99	29.50	27.01	24.52					
	50	Q	110840	101480	83710	68630	55060	43920	34560					
		P	41.32	40.30	37.94	35.09	32.47	29.14	25.67					
4000-AW-154X W40L154X	30	Q				115120	95170	77840	62560	49340	38370	28940	20800	14560
		P				34.71	32.39	29.76	27.35	24.73	22.11	19.06	16.27	13.02
	40	Q				97930	80370	64800	51700	40570	31080	23280	16790	
		P				39.64	36.46	33.21	29.77	26.37	22.73	19.51	16.39	
	50	Q				82120	66760	53950	42850	33090	25040			
		P				43.61	39.92	35.85	31.62	27.42	23.44			
5000-AW-154X W50H154X	30	Q	181310	166210	138660	114840	94130	74940	59950					
		P	38.03	36.97	35.05	33.43	31.02	28.14	25.47					
	40	Q	155280	142180	118820	97460	79370	64310	50730					
		P	45.36	44.03	41.82	39.30	35.88	32.41	28.76					
	50	Q	129090	118140	98430	80940	65720	53050	42380					
		P	50.17	48.90	45.98	42.61	38.89	34.69	30.42					
5000-AZ-172X Z50L172X	30	Q			155080	128940	106600	87190	70070	55260	42970	32420	23300	16310
		P			40.58	38.88	36.28	33.33	30.62	27.70	24.76	21.34	18.23	14.58
	40	Q			133170	109680	90020	72580	57910	45440	34820	26070	18800	
		P			47.57	44.40	40.83	37.20	33.34	29.54	25.46	21.86	18.36	
	50	Q			111610	91970	74770	60420	47990	37060	28040			
		P			53.45	48.84	44.71	40.15	35.40	30.71	26.25			
6000-AZ-172X Z60H172X	30	Q	204530	189620	157070	129370	105600	85500	69170					
		P	39.79	39.68	39.39	38.82	36.92	34.49	31.99					
	40	Q	175640	162320	136340	113360	93180	75870	57890					
		P	48.77	48.01	46.12	44.05	41.11	37.80	34.44					
	50	Q	145480	134380	112660	93940	76390	60010	48390					
		P	55.63	54.25	51.09	47.67	44.70	41.61	38.98					
6000-AZ-205X Z60L205X	30	Q			185390	154120	127430	104220	83760	66060	51370	38740	27840	19490
		P			48.51	46.48	43.37	39.85	36.61	33.11	29.60	25.51	21.78	17.45
	40	Q			159180	131110	107600	86760	69230	54320	41620	31170	22480	
		P			56.87	53.08	48.81	44.47	39.86	35.31	30.44	26.13	21.94	
	50	Q			133420	109940	89380	72230	57370	44290	33520			
		P			63.89	58.39	53.45	48.00	42.33	36.71	31.38			
7000-AZ-205X Z70H205X	30	Q	236840	217630	183010	152430	126030	102940	82850					
		P	49.80	49.61	49.05	48.18	45.77	42.62	39.57					
	40	Q	203150	186570	156380	129490	106160	85840	67810					
		P	60.94	60.03	57.59	54.97	51.06	46.76	42.13					
	50	Q	168950	154880	129430	106620	86120	68380	52960					
		P	69.34	67.71	63.80	59.20	54.71	49.41	43.73					



◇ R407C PARAMETER (蒸发和冷凝温度都基于露点温度)

Model	Code	Cond. Temp. °C	Under condition of 50Hz, Suc. Temp 20°C or Suc. Temp difference 15K, No sub cooling. Cooling Capacity Q(W), Power (kw)									
			R22					Evap. Temp. °C				
			12.5	10	7	5	0	-5	-10	-15	-20	
200-AL-50X	L2H9X	30	Q	12200	11220	9870	9120	7370	6000	4730	3660	2770
			P	1.69	1.74	1.74	1.76	1.73	1.70	1.63	1.50	1.38
		40	Q	1070	9740	8670	7940	6470	5320	4210	3300	2520
			P	2.19	2.19	2.17	2.14	2.04	1.96	1.78	1.62	1.45
		50	Q	9150	8300	7360	6710	5410	4340	3390	2620	1970
			P	2.64	2.61	2.53	2.48	2.32	2.13	1.94	1.72	1.51
300-AL-60X	L3H13X	30	Q	17860	16460	14660	13680	11220	9210	7300	5750	4370
			P	2.36	2.46	2.45	2.48	2.46	2.43	2.30	2.08	1.89
		40	Q	15890	14400	12910	11890	9770	8000	6330	4920	3780
			P	3.19	3.17	3.12	3.05	2.91	2.78	2.56	2.33	2.09
		50	Q	13730	12310	11000	10110	8370	6660	5260	4130	3110
			P	3.70	3.65	3.52	3.47	3.27	3.02	2.74	2.46	2.16
400-AL-65X	L4H17X	30	Q	23240	21650	19300	18050	14980	12320	9900	7810	6000
			P	3.23	3.31	3.28	3.31	3.24	3.16	2.98	2.71	2.48
		40	Q	20420	18820	16940	15650	12920	10650	8530	6680	5160
			P	4.17	4.15	4.11	4.04	3.85	3.66	3.33	3.02	2.70
		50	Q	17610	16150	14490	13360	11110	8980	7130	5640	4280
			P	5.02	4.92	4.77	4.68	4.38	4.04	3.64	3.26	2.86
500-AL-70X	L5H19X	30	Q	26840	24750	21940	20410	16850	13860	11140	8780	6770
			P	3.81	3.84	3.75	3.75	3.66	3.55	3.34	3.05	2.78
		40	Q	23600	21890	19470	17810	14620	11930	9520	7440	5700
			P	4.78	4.75	4.67	4.56	4.31	4.06	3.69	3.35	2.99
		50	Q	20710	18850	16770	15350	12580	10050	7920	6250	4740
			P	5.81	5.62	5.42	5.34	4.97	4.54	4.07	3.63	3.18
1000-AV-34X	V10H34X	30	Q	45620	42190	37280	34580	28160	23020	18420	14540	11230
			P	5.72	5.86	5.81	5.84	5.73	5.61	5.31	4.85	4.41
		40	Q	39840	36460	33050	29940	24510	20070	15980	12510	9640
			P	7.37	7.33	7.28	7.11	6.76	6.43	5.88	5.34	4.75
		50	Q	34190	31130	28210	25480	20840	16740	13240	10430	7950
			P	8.93	8.77	8.50	8.30	7.76	7.15	6.50	5.81	5.09
1200-AV-41X	V12H41X	30	Q	54610	50320	45250	41400	33770	27660	22110	17540	13580
			P	6.89	7.07	7.01	7.06	6.94	6.82	6.44	5.91	5.36
		40	Q	47950	43840	39760	36020	29500	24160	19270	15110	11660
			P	9.02	8.98	8.86	8.69	8.27	7.87	7.19	6.55	5.84
		50	Q	41190	37500	33950	30700	25120	20190	16000	12630	9660
			P	11.01	10.80	10.46	10.20	9.54	8.79	7.99	7.16	6.28
1500-AV-48X	V15H48X	30	Q	65410	60310	54100	49580	40300	32950	26310	20780	16030
			P	8.32	8.49	8.38	8.40	8.18	7.98	7.51	6.84	6.19
		40	Q	57480	52490	47580	43070	35270	28810	22890	17910	13780
			P	10.58	10.50	10.39	10.12	9.60	9.10	8.31	7.54	6.71
		50	Q	49450	45000	40740	36780	30100	24160	19100	15050	11470
			P	12.78	12.50	12.07	11.74	10.93	10.06	9.14	8.20	7.21
2000-AV-56X	V20H56X	30	Q	75650	69730	62660	57290	46740	38190	30500	24140	18670
			P	10.59	10.66	10.41	10.36	9.96	9.65	9.06	8.25	7.47
		40	Q	66640	60610	55210	49930	40850	33360	26510	20710	15940
			P	13.07	12.94	12.77	12.42	11.71	11.04	10.01	9.04	8.00
		50	Q	57330	52240	47300	42690	34920	28040	22170	17410	13210
			P	15.64	15.30	14.76	14.35	13.29	12.13	10.91	9.67	8.41
2500-AV-71X	V25H71X	30	Q	92220	85260	75650	70460	56810	46780	37310	29180	22620
			P	12.97	13.19	12.98	13.00	12.55	12.18	11.36	10.18	9.20
		40	Q	83080	75990	67930	62250	51040	41290	32540	25310	19350
			P	16.63	16.51	16.30	15.85	15.01	14.10	12.73	11.46	10.22
		50	Q	71900	65410	59480	53650	43990	35320	27970	21510	16040
			P	19.69	19.39	18.67	18.34	17.12	15.64	14.12	12.69	11.00
3000-AV-86X	V30H86X	30	Q	113700	104860	93120	86020	69670	56540	44820	35520	27140
			P	16.17	16.30	15.96	15.79	15.15	14.59	13.67	12.38	11.11
		40	Q	99790	91330	82350	74450	60910	49730	39600	30850	23300
			P	20.41	20.21	19.79	19.29	18.17	17.13	15.51	13.93	12.35
		50	Q	87290	79240	71610	64720	52720	42360	33060	25500	19320
			P	24.33	23.82	22.91	22.34	20.70	18.90	17.05	15.23	13.46
3500-AV-103X	V35H103X	30	Q	133010	122650	110140	10080	82060	67160	53660	42420	32850
			P	20.16	20.13	19.52	19.15	18.15	17.36	16.15	14.62	13.16
		40	Q	118540	108400	98310	8940	72870	59580	47400	37150	28660
			P	24.07	23.89	23.50	22.80	21.69	20.55	18.86	17.17	15.48
		50	Q	104640	95220	86210	78000	63810	51280	40560	31940	24360
			P	28.83	28.17	27.14	26.59	24.78	22.77	20.74	18.59	16.53

◆ R407C PARAMETER (蒸发和冷凝温度都基于露点温度)

Model	Code	Cond. Temp. °C	Under condition of 50Hz, Suc. Temp 20°C or Suc. Temp difference 15K, No sub cooling. Cooling Capacity Q(W), Power (kw)									
			R22					Evap. Temp. °C				
			12.5	10	7	5	0	-5	-10	-15	-20	
3500-AW-106X	W35H106X	30	Q	136880	126220	113350	10370	84450	69120	55220	43660	33810
			P	20.75	20.72	20.09	19.70	18.68	17.87	16.62	15.04	13.55
		40	Q	121990	111550	101180	91530	74990	61320	48780	38230	29500
			P	24.78	24.59	24.18	23.47	22.32	21.15	19.41	17.67	15.93
		50	Q	107690	98000	88720	80270	65670	52780	41740	32870	25070
			P	29.67	28.99	27.93	27.36	25.50	23.44	21.34	19.13	17.01
4000-AW-129X	W40H129X	30	Q	167110	154010	138240	126240	103000	84260	67300	53100	40720
			P	24.56	24.79	24.04	23.80	22.91	22.18	20.74	18.81	17.10
		40	Q	148820	136030	123030	111480	91250	74570	58500	45790	35430
			P	30.54	30.24	29.76	28.98	27.31	25.80	23.46	21.42	19.35
		50	Q	130650	118910	107880	97520	79070	63280	49630	38930	29530
			P	36.11	35.54	34.39	33.63	31.52	29.02	26.50	23.72	20.88
5000-AW-154X	W50H154X	30	Q	197990	182770	163100	149280	121310	99230	79170	61400	47500
			P	31.85	31.53	30.32	29.74	27.87	26.56	24.65	22.09	19.80
		40	Q	174820	159840	144880	131040	107460	87400	69300	54490	41750
			P	37.98	37.63	37.06	35.72	33.72	31.71	28.54	25.70	22.70
		50	Q	152520	138740	125640	113530	92980	74630	59250	47020	36200
			P	43.98	43.10	41.75	40.80	38.20	35.23	31.74	28.24	24.75
6000-AZ-172X	Z60H172X	30	Q	223270	205800	183990	170300	137420	111790	88820	70050	54810
			P	31.39	32.02	31.73	31.91	31.32	30.84	29.33	27.07	24.87
		40	Q	198130	182250	163880	149600	123300	101660	81360	64290	47640
			P	40.24	40.13	39.84	38.95	37.19	35.53	32.70	29.98	27.18
		50	Q	171450	157290	141590	129130	106430	86620	68860	53190	41350
			P	48.48	47.71	46.29	45.27	42.44	39.41	36.48	33.87	31.71
7000-AZ-205X	Z70H205X	30	Q	256050	236690	213050	195470	160110	131720	106000	84340	65650
			P	39.20	40.06	39.71	39.90	38.99	38.28	36.36	33.45	30.76
		40	Q	227640	208680	189540	171950	141420	116130	92690	72730	55810
			P	50.36	50.15	49.78	48.71	46.44	44.34	40.61	37.09	33.26
		50	Q	198620	181190	164430	148830	122260	98310	77630	60610	45240
			P	60.39	59.43	57.70	56.50	53.01	48.95	44.65	40.22	35.58

● The parameter in the table of R404A/R507A is only for R404A. For R507A, can get from the rate below

R404A→R507A										
Cond. Temp. °C	Evap. Temp. (°C)									
	-10	-15	-20	-25	-30	-35	-40	-45	-50	-55
30	1.02	1.02	1.02	1.03	1.03	1.03	1.03	1.03	1.03	1.03
40	1.02	1.03	1.03	1.03	1.04	1.04	1.04	1.04	1.04	1.04
50	1.03	1.04	1.04	1.04	1.04	1.05	1.05	1.05	1.05	1.05



Remarks

-

Model: 300-AL-60
 construction code
 series code
 100×Normal Power (HP)

Code: L 3 H 13 X (.1)
 No. of modification, (.1) donot mention
 X: easter oil, if no mark, mineral oil
 50Hz displacement (m³/h)
 H high Temp compressor M mid Temp.
 Norminated motor Power (HP)
 Series code

Model: 3000-AW-129
 50Hz displacement (m³/h)
 series code
 100×Normal Power (HP)

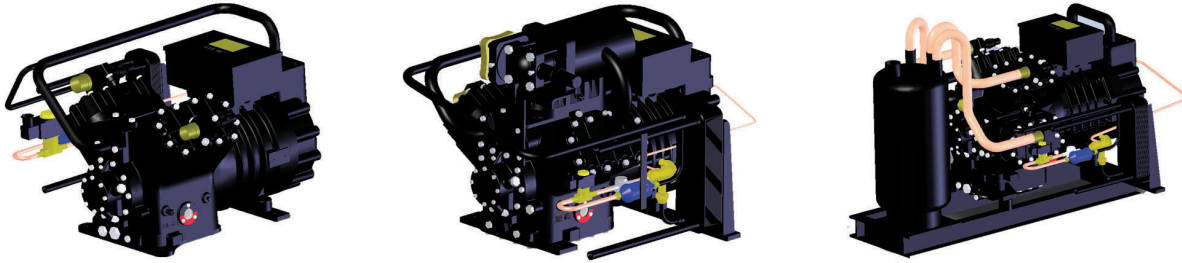
Code: W 30 L 129 X (.1)
 No. of modification, (.1) donot mention
 X: easter oil, if no mark, mineral oil
 50Hz displacement (m³/h)
 L low Temp
 Norminated motor Power (HP)
 Series code

- Accessories and Explanation for compressors supplied

Item	供货范围	QTY	L series		8 Vseries		VWZseries	
			High-Mid temp	Mid-Low temp	High-Mid temp	Mid-Low temp	High-Mid temp	Mid-Low temp
1	Direct start compressor	1	●		●		●	
	Direct start compressor		●		●		×	
	Sub-Coil start compressor		○		○		●	
	Special Power supply compressor		can made according to requirement					
2	Motor protect (PTC thermistor and protection module)	1	●		●		●	
3	Discharge temp protect (PTC thermistor and protection module)	1	○		●		●	
4	Cylinder head cooling fan	1	○	●	○	●	○	●
5	Liquid spray device	1	×		×	○	×	○
6	Crankcase oil heater	1	○		●		●	
7	Gas return pipe filter (core replacable)	1	○		○		●	
8	Energy Control	1-3	×		○(1)		○(V1-W2-Z3)	
9	rubber washer	4	●		●		●	
10	water proof silica glue for terminal plate and oil heater	1	●		●		●	
11	spare stop valve gasket	1	●		●		●	
12	spare oil filter gasket	1	×		●		●	
mark: ● — standard ; ○ — optional ; × — forbidon								

- For the compressors with more than 4 cylinders, (4 cylinders included), displacement more than 70m³/h, for energy saving reason, it is suggested to apply the energy control.

2-stage low temperature S series compressor, norminated power from 8HP to 40HP, low pressure pole displacement from 28m³/h to 154m³/h

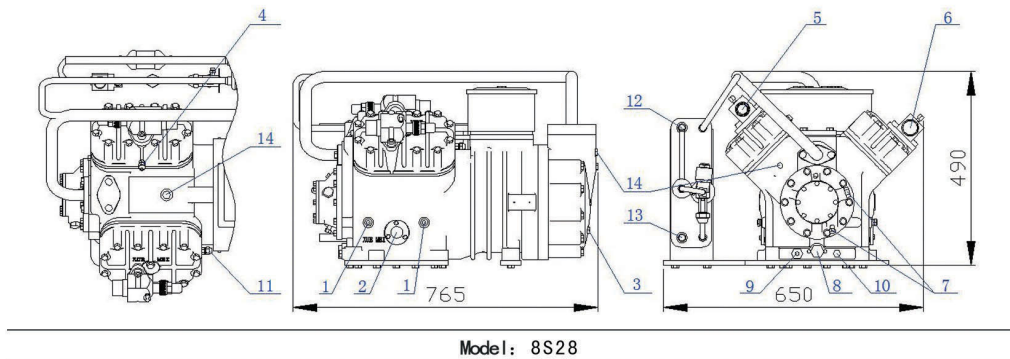


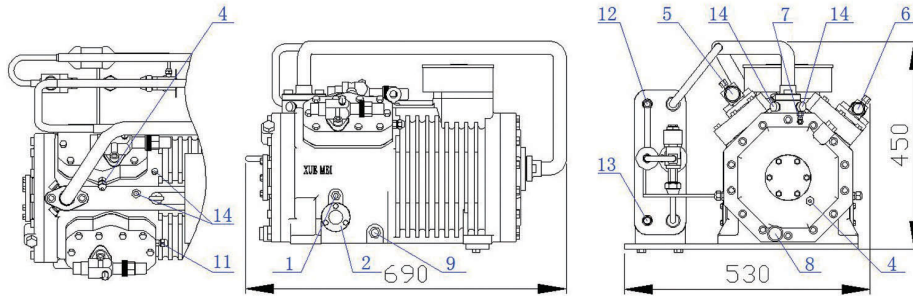
◇ PARAMETER

Model	Code	Cylinders	Rated Power (HP)	50Hz Displacement (m ³ /h)		Power Supply	Starting Current LRA	Max Current MRA	Max Power (kW)	Connection Pipe				Oil Charge	Weight
				低压	高压					Suction Pipe		Discharge Pipe			
										mm	"	mm	"		
ASV4-800	8S28	4	8	28	18	① PW-Y-380V/3~/50Hz PW-Y-440V/3~/60Hz	49/81	17	9.7	28, 1-1/8"	22, 7/8"	2.6	155		
ASV4-1200	12S43		12	43	27.6		69/113	24	13.8	35, 1-3/8"	28, 1-1/8"				
ASV4-1500	15S52		15	51.5	27.6		81/132	31	18.1						
ASW6-2000	20S71	6	20	71	35.5	PW-Y-380V/3~/50Hz PW-Y-440V/3~/60Hz	97/158	37	21.5	42, 1-5/8"	35, 1-3/8"	4.5	235		
ASW6-2500	25S86		25	86	43		116/193	45	24.9						
ASW6-3000	30S103		30	103	51		135/220	53	30.1						
ASZ8-3500	35S129	8	35	129	43	PW-Y-380V/3~/50Hz PW-Y-440V/3~/60Hz	148/262	61	34.7	54, 2-1/8"	42, 1-5/8"	8	380		
ASZ8-4000	40S154		40	154	51		180/323	78	44.3						

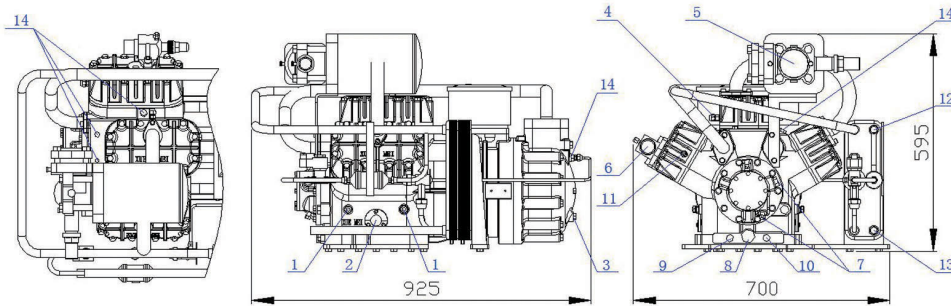
注：①标准电源供应为Y380V(440V)/3~/50(60)HZ/4p

◇ Overall and connection dimation drawing

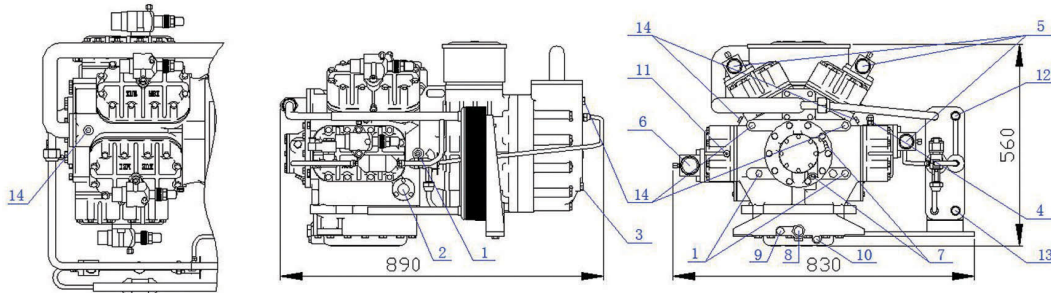




Model: 12S43, 15S52



Model: 20S71, 25S86, 30S103



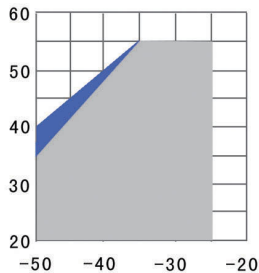
Model: 35S129, 40S154 安装尺寸: 458×305

Remarks

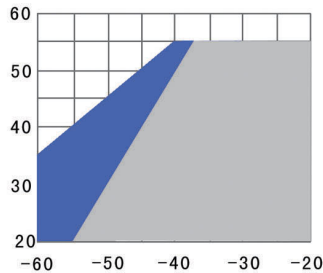
1. Crankcase mid pressure connector (also oil return bolt for 8S28)
2. Oil sight glass
3. Oil return bolt
4. Low pressure connector
5. Suction stop valve
6. Discharge stop valve
7. High oil pressure difference
8. Oil filter
9. Oil heater
10. Oil outlet
11. High pressure connector
12. Refrigerant inlet
13. Refrigerant outlet
14. Mid pressure

◇ Range of application

R22 Range of application



R404A/R507 Range of application

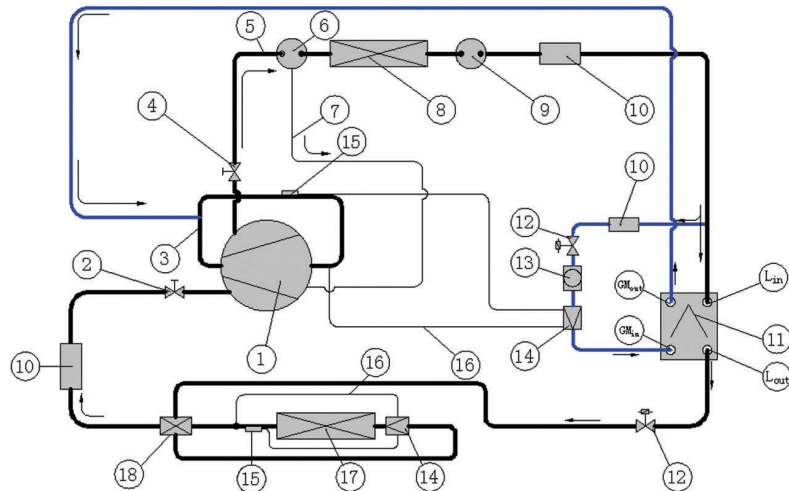


No any additional condition

Can run properly, COP<1

◇ 2-stage compressor applying explanation

● 2-stage compressor system indication drawing



1. compressor 2. low pressure suction valve 3. mid pressure pipe 4. high pressure discharge valve 5. discharge pipe 6. oil separator 7. oil return pipe 8. condenser 9. reservoir 10. filter 11. liquid subcooler 12. solenoid valve 13. oil level glass 14. expansion valve 15. thermal package 16. balance pipe 17. evaporator 18. oil return GM subcooler inlet GM subcooler outlet LI. refrigerant inlet LO refrigerant outlet

- The most proper evaporating temperature for the single stage compressor with the refrigerant R22, when the cond. Temp is 30°C, 35°C, and 40°C are -40°C, -35°C and -30°C. Lower than this, even if it can be working, it is not safe and not economic. In this case, 2-stage compressors are necessary.
- For economy, energy saving and safe reason, the suggested evap. Temp for the 2-stage compressors is -30°C to -40°C for R22 refrigerant. If with refrigerant R404A, it could be -45°C.
- There are high pressure stage and low pressure stage for the 2-stage compressor. The refrigerant coming from the evaporator first goes into the low pressure stage cylinder, then compressed and goes into the mid pressure pipe where mixing with the refrigerant which is cooled and compressed from the system liquid supply pipe to the mid cooling expansion valve and mid cooler, then, it goes into the motor chamber to cool the motor and then goes into the high pressure stage cylinder to be compressed and last to the condenser.
- Liquid subcooler is an important element to make the 2-stage compressor system more effective and with larger cooling capacity. In order to make the compressor as well as the liquid subcooler working smoothly, there must be enough refrigerant in the system pipes so that there would be no bubble appeared before the liquid refrigerant coming from the high pressure stage cylinder going into the subcooler and mid cooling expansion valve.

● Model explanation

Model: AS W6-3000

100×Nominal Power (HP)
Corresponding series and number cylinders
series code

Code: 30 S 154 X (.1)

No. of modification, (.1) donot mention
X: ester oil, if no mark, mineral oil
Low pressure stage displacement (50Hz) (m³/h)
2-stage series code
Nominal Power (HP)

● Explanation for the compressors supplied

Besides the standard supplies of the accessories of the corresponding single stage compressor, there are also mid cooling devices supplied as standard supply for the 2-stage compressors, including liquid subcooler, solenoid valve, liquid sight glass, and mid cooling expansion valve. For 35S129 and 40S154, there are also special gas oil separator with one inlet and three outlets and the connecting stand.



◇ R22 PARAMETER

Model	Code	Cond. Temp. °C		Under condition of 50Hz, Suc. Temp 20°C or Suc. Temp difference 15K, No sub cooling. Cooling Capacity Q(W), Power (kw)					
				R22		Evap. Temp. °C			
				-25	-30	-35	-40	-45	-50
ASV4-800	8S28	30	Q	11150	9150	7400	5870	4620	3510
			P	5.71	5.30	4.88	4.43	3.98	3.50
		40	Q	10770	8840	7130	5700	4430	
			P	6.60	6.06	5.55	5.05	4.41	
		50	Q	10640	8690	7100	5570		
			P	7.28	6.70	6.09	5.45		
ASV4-1200	12S43	30	Q	17140	14070	11380	9030	7100	5400
			P	8.78	8.15	7.50	6.81	6.12	5.38
		40	Q	16560	13590	10960	8760	6810	
			P	10.15	9.32	8.53	7.76	6.78	
		50	Q	16360	13360	10920	8560		
			P	11.19	10.30	9.36	8.38		
ASV4-1500	15S52	30	Q	20360	16700	13430	10720	8440	6480
			P	10.45	9.63	9.03	8.13	7.37	6.41
		40	Q	19670	16100	13010	10460	8150	
			P	12.05	11.03	10.17	9.23	8.12	
		50	Q	19400	15900	13000	10240		
			P	13.29	12.21	11.09	10.00		
ASV6-2000	20S71	30	Q	27600	22760	18580	14900	11700	8900
			P	13.68	12.58	11.46	10.40	9.24	8.04
		40	Q	27060	22380	18240	14560	11400	
			P	15.66	14.21	12.88	11.50	10.10	
		50	Q	26070	21170	17150	13670		
			P	18.01	16.25	14.49	12.94		
ASV6-2500	25S86	30	Q	33150	27280	22050	17500	13770	10500
			P	16.80	15.31	13.81	12.31	10.83	9.35
		40	Q	31840	25880	20950	16750	12900	
			P	18.94	17.20	15.45	13.71	11.97	
		50	Q	30800	25000	19890	15620		
			P	20.79	18.59	16.49	14.49		
ASV6-3000	30S103	30	Q	39500	32020	26000	20800	16160	12350
			P	20.11	18.31	16.52	14.73	12.95	11.19
		40	Q	38150	31300	25510	20280	15880	
			P	22.81	20.71	18.61	16.51	14.41	
		50	Q	37200	30450	24520	19200		
			P	25.47	23.04	20.45	17.94		
ASZ8-3500	35S129	30	Q	43470	35380	28660	22940	17850	13640
			P	23.58	21.02	18.97	16.75	14.55	12.49
		40	Q	41790	34310	27850	22140	17420	
			P	26.00	23.28	20.80	18.41	15.86	
		50	Q	40610	33340	26780	21080		
			P	28.86	25.63	22.79	19.78		
ASZ8-4000	40S154	30	Q	51890	42240	34220	27390	21310	16280
			P	28.15	25.09	22.65	20.00	17.37	14.91
		40	Q	49890	40960	33250	26430	20790	
			P	31.04	27.79	24.84	21.98	18.93	
		50	Q	48480	39800	31970	25160		
			P	34.46	30.59	27.21	23.61		

- For safety reason, there must be a large enough gas liquid separator in the 2-stage refrigeration system. It would be better if the user can add a regenerator to make the suction gas at the low pressure stage dry enough and also increase the refrigerant undercooling so that the enlarge the cooling capacity.

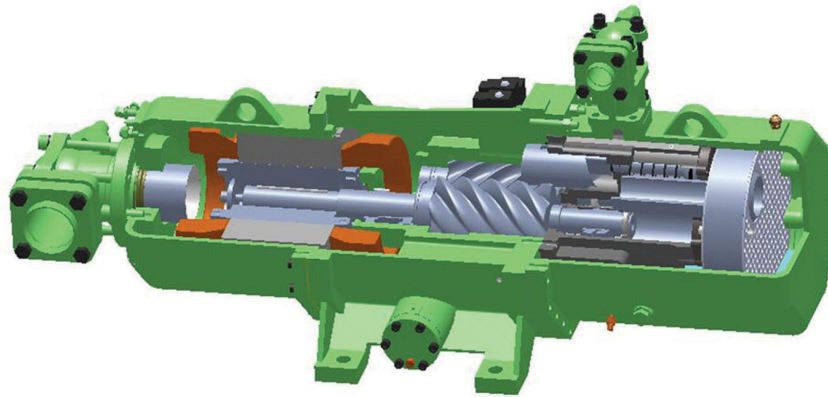
◇ R404A/R507A PARAMETER

Model	Code	Cond. Temp. °C	Under condition of 50Hz, Suc. Temp 20°C or Suc. Temp difference 15K, No sub cooling. Cooling Capacity Q(W), Power (kw)					
			R22			Evap. Temp. °C		
			-25	-30	-35	-40	-45	-50
ASV4-800X	8S28X	Q	11890	10160	8510	7040	5730	4530
		P	6.67	6.23	5.79	5.31	4.84	4.31
		Q	11170	9520	8060	6670	5380	
		P	7.62	7.07	6.54	6.03	5.37	
		Q	10690	9080	7810	6410		
		P	8.34	7.78	7.17	6.54		
ASV4-1200X	12S43X	Q	18270	15620	13090	10840	8800	6970
		P	10.26	9.58	8.91	8.16	7.45	6.62
		Q	17170	14640	12390	10250	8270	
		P	11.72	10.86	10.05	9.28	8.26	
		Q	16440	13960	12010	9840		
		P	12.83	11.96	11.03	10.06		
ASV4-1500X	15S52X	Q	21700	18540	15450	12860	10470	8360
		P	12.22	11.32	10.72	9.74	8.97	7.88
		Q	20400	17340	14690	12240	9900	
		P	13.92	12.86	11.98	11.03	9.89	
		Q	19500	16620	14310	11780		
		P	15.23	14.18	13.06	12.00		
ASW6-2000X	20S71X	Q	29420	25260	21370	17880	14510	11480
		P	15.99	14.79	13.60	12.46	11.25	9.89
		Q	28060	24100	20610	17040	13850	10950
		P	18.09	16.57	15.17	13.74	12.30	10.42
		Q	26200	22120	18870	15720		
		P	20.64	18.87	17.07	15.53		
ASW6-2500X	25S86X	Q	35340	30280	25360	21000	17080	13550
		P	19.64	18.00	16.39	14.75	13.18	11.50
		Q	33020	27870	23670	19600	15670	12790
		P	21.88	20.06	18.20	16.38	14.58	12.67
		Q	30950	26130	21880	17960		
		P	23.83	21.58	19.43	17.39		
ASW6-3000X	30S103X	Q	42110	35540	29900	24960	20040	15930
		P	23.51	21.53	19.61	17.65	15.76	13.76
		Q	39560	33710	28830	23730	19290	15260
		P	26.35	24.15	21.92	19.73	17.55	15.16
		Q	37390	31820	26970	22080		
		P	29.19	26.75	24.09	21.53		
ASZ8-3500X	35S129X	Q	46340	39270	32960	27530	22130	17600
		P	27.57	24.72	22.52	20.07	17.71	15.36
		Q	43340	36950	31470	25900	21170	16970
		P	30.03	27.14	24.50	22.00	19.32	16.80
		Q	40810	34840	29460	24240		
		P	33.07	29.76	26.85	23.74		
ASZ8-4000X	40S154X	Q	55320	46890	39350	32870	26420	21000
		P	32.91	29.51	26.89	23.96	21.14	18.34
		Q	51740	44110	37570	30920	25260	20260
		P	35.85	32.40	29.26	26.27	23.06	20.02
		Q	48720	41590	35170	28930		
		P	39.49	35.51	32.05	28.33		



SCREW COMPRESSOR,

POWER: 75HP TO 140HP, DISPLACEMENT: 250M3/H TO 400M3/H



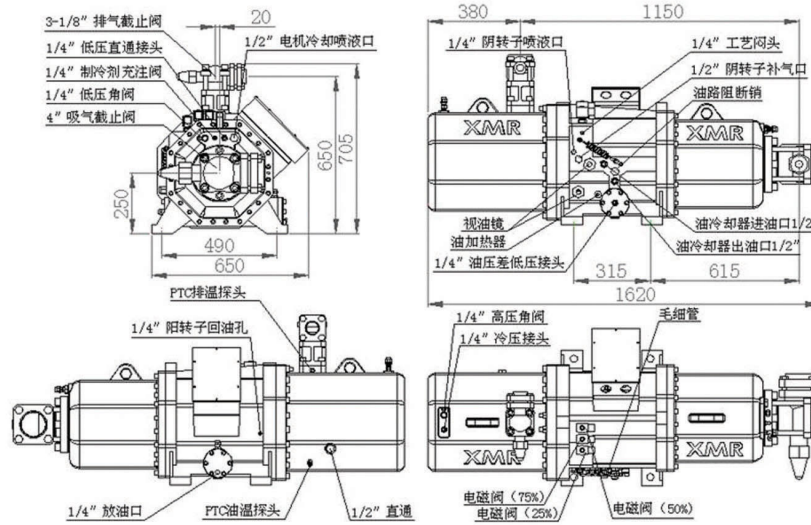
Advantages:

1. New high efficient designing with HOLROYD rotor machining technology.
2. New SKF reliable bearing sets with advantages of high precision, long time usage, low-friction, and low-noise
3. PND axial balance system
4. Higher running efficiency and power, as well as effective overloading capacity.
5. With slide valve as energy control so that it is more efficient.
6. With more safety device: PTC temperature protect for stator phase coil, discharge temperature and lubricating oil temperature, Oil pressure protect, Li quid spray protect for motor and compression chamber, Stop valve at the discharge side, Internal safety valve, Oil cooler, and etc.

◇ Parameter

MODEL	NORMINATED POWER (HP)	50Hz DISPLACEMENT m3/h	ENERGY CONTROL %	POWER	LOCKED ROTOR CURRENT LRA	MAX RUNNING CURRENT MRA	MAX POWER kW	PIPE				OIL CHARGE I
								SUCTION PIPE		DISCHARGE PIPE		
								mm	"	mm	"	
SRC-75L250	75	250	100	Y/Δ-380 V / 3~ / 50 Hz / 2p Y/Δ-440 V / 3~ / 60Hz / 2p	563	134	78	76 3-1/8"	54 2-1/8"	16		
SRC-90H250	90				675	162	94					
SRC-90L300	100	300	0 or 100	750	180	105	100 4"				76 3-1/8"	22
SRC-100H300		350	75	900	207	125						
SRC-100L350	120	400	50	900	207	125	100 4"	76 3-1/8"	22			
SRC-120H350	120		25	900	207	125						
SRC-120L400	140			1050	246	145						

◇ Overall and connection dimension drawings

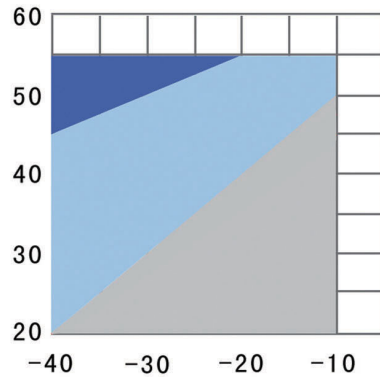


Marks

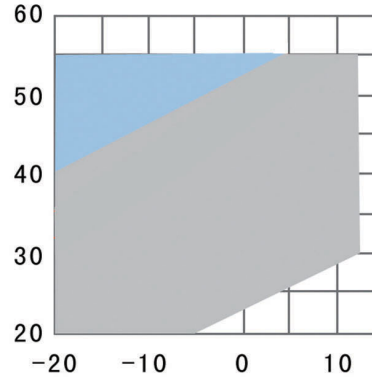
1. suction low pressure joint (3pcs total, can add or delete according to situation)
2. liquid spray joint
3. PTC probe for discharge temperature
4. discharge stop valve
5. suction stop valve
6. oil inlet
7. oil pressure and low pressure
8. oil heater
9. oil sight glass
10. PTC probe for oil temperature
11. discharge high pressure joint
12. solenoid valve (50%)
13. solenoid valve (75%)
14. solenoid valve (25%)
15. chopping copper pipe

◇ Range of application

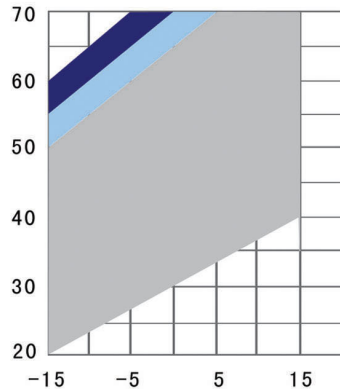
Mid and low temp compressor, R22



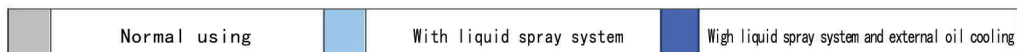
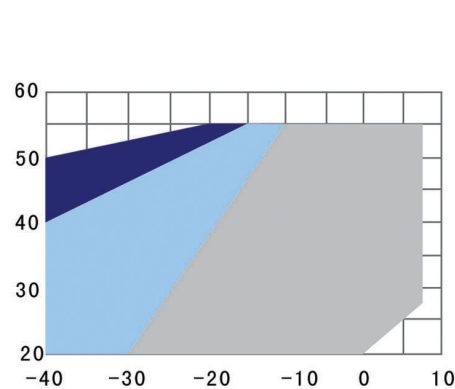
High and mid temp compressor, R22



High and mid temp compressor, R134a



R404ARange of application





◆ SRC-H high and mid temp compressor parameter

Model	Cond. Temp. °C	Based on 50Hz, Suct. Temp 20°C (or Suct. Temp. difference 20K), No sub cooling. Cooling capacity Q(W), Power consuming P (KW)										
		R22 Evap. Temp. °C										
		12.5	10	7	5	2	0	-5	-10	-15	-20	
SRC90H250	30	Q			296800	272800	246640	229200	190900	157500	128500	103500
		P			52.70	51.10	49.30	48.10	45.50	43.40	41.40	39.70
	40	Q	316600	291700	268200	246200	222200	206200	171000	140400	113800	90800
		P	65.00	63.20	61.50	59.80	58.06	56.90	54.20	51.70	49.50	47.30
	50	Q	282600	260000	238700	218700	196920	182400	150600	122700	98600	77600
		P	76.80	74.90	73.10	71.40	69.42	68.10	65.00	62.20	59.50	57.10
R134a Evap. Temp. °C												
		Q	15	10	7	5	2	0	-5	-10	-15	-20
		P										
R404A, R507A Evap. Temp. °C												
		Q	15	10	7	5	2	0	-5	-10	-15	-20
		P										

◆ SRC-L mid and low temp compressor parameter

Model	Cond. Temp. °C		Based on 50Hz, Suct. Temp 20°C (or Suct. Temp. difference 20K), No sub cooling. Cooling capacity Q(W), Power consuming P (KW)								
			R22 Evap. Temp. °C								
			-10	-15	-20	-23	-25	-30	-35	-40	-45
SRC75L250	30	Q	160300	132700	108800	96440	88200	70600	55500	42750	31950
		P	50.60	46.10	42.10	40.00	38.60	35.50	33.00	30.80	29.00
	40	Q	145500	120000	97900	86500	78900	62600	48550	36600	
		P	56.00	51.60	47.70	45.54	44.10	40.90	38.20	36.00	
	50	Q	130000	106700	86500	76000	69000	53900			
		P	63.10	58.60	54.60	52.44	51.00	47.90			
	30	Q	ECO		124400	111980	103700	85300	68900	54500	41750
		P			47.50	45.10	43.50	40.00	36.80	34.10	31.70
	40	Q	Liguid Temp=Saturation Temperature+10K		118200	106080	98000	79900	63800	49500	
		P			53.40	50.88	49.20	45.60	42.40	39.50	
50	Q			110600	98720	90800	73100	57200			
	P			60.90	58.38	56.70	52.90	49.40			
SRC90L300	30	Q	192360	159240	130560	115730	105840	84720	66600	51300	38340
		P	60.72	55.32	50.52	48.00	46.32	42.60	39.60	36.96	34.80
	40	Q	174600	144000	117480	103800	94680	75120	58260	43920	
		P	67.20	61.92	57.24	54.65	52.92	49.08	45.84	43.20	
	50	Q	156000	128040	103800	91200	82800	64680			
		P	75.72	70.32	65.52	62.93	61.20	57.48			
	30	Q	ECO		149280	134380	124440	102360	82680	65400	50100
		P			57.00	54.12	52.20	48.00	44.16	40.92	38.04
	40	Q	Liguid Temp=Saturation Temperature+10K		141840	127300	117600	95880	76560	59400	
		P			64.08	61.06	59.04	54.72	50.88	47.40	
50	Q			132720	118460	108960	87720	68640			
	P			73.08	70.06	68.04	63.48	59.28			
SRC100L350	30	Q	229360	189370	154910	137290	125550	100900	79960	62570	48120
		P	61.00	57.81	54.99	53.46	52.45	50.09	48.10	46.19	44.57
	40	Q	208240	171410	139790	123610	112820	90060	70800		
		P	72.84	69.85	66.99	65.31	64.19	61.33	58.60		
	50	Q	185280	151610	122860	108190	98410	77670			
		P	88.03	85.10	82.07	80.22	79.00	75.65			
	30	Q	ECO		177220	159550	147770	121880	99300	79780	62900
		P			62.13	60.35	59.16	56.36	53.73	51.18	48.81
	40	Q	Liguid Temp=Saturation Temperature+10K		168740	151570	140130	115010	93020	73840	
		P			75.03	72.99	71.64	68.33	64.93	61.54	
50	Q			157020	140570	129610	105330	83940			
	P			91.67	89.32	87.76	83.52	79.02			
SRC120L400	30	Q	262130	216420	177040	156900	143480	115310	91380	71510	54990
		P	69.71	66.07	62.84	61.10	59.94	57.25	54.97	52.79	50.94
	40	Q	237990	195900	159760	141270	128940	102920	80910		
		P	83.24	79.83	76.56	74.64	73.36	70.09	66.97		
	50	Q	211750	173270	140410	123650	112470	88770			
		P	100.61	97.26	93.79	91.68	90.28	86.46			
	30	Q	ECO		202540	182344	168880	139290	113490	91180	71880
		P			71.00	68.97	67.61	64.41	61.40	58.49	55.78
	40	Q	Liguid Temp=Saturation Temperature+10K		192840	173226	160150	131440	106310	84390	
		P			85.75	83.42	81.87	78.09	74.21	70.33	
50	Q			179450	160652	148120	120380	95930			
	P			104.76	102.08	100.30	95.45	90.31			
R404A, R507A Evap Temp °C											
			-10	-15	-20	-23	-25	-30	-35	-40	-45
SRC75L250X	30	Q	ECO		134900	121820	113100	93500	76100	60700	46900
		P			51.00	49.68	48.80	46.40	44.00	41.30	38.40
	40	Q	Liguid Temp=Saturation Temperature+10K		123400	111160	103000	84600	68000	53000	
50	Q			61.70	59.84	58.60	55.50	52.20	48.60		
	P			109800	98520	91000	73900				
50	Q			74.10	71.88	70.40	66.30				
	P										
SRC90L300X	30	Q	ECO		161880	146180	135720	112200	91320	72840	56280
		P			61.20	59.62	58.56	55.68	52.80	49.56	46.08
	40	Q	Liguid Temp=Saturation Temperature+10K		148080	133390	123600	101520	81600	63600	
50	Q			74.04	71.81	70.32	66.60	62.64	58.32		
	P			131760	118220	109200	88680				
50	Q			88.92	86.26	84.48	79.56				
	P										
SRC100L350X	30	Q	ECO		191140	172350	159820	132490	108730	88100	70360
		P			76.64	74.00	72.23	68.15	64.51	61.28	58.82
	40	Q	Liguid Temp=Saturation Temperature+10K		174590	157220	145640	120270	98200	78930	
50	Q			90.98	88.24	86.41	82.16	78.25	74.69		
	P			153620	137940	127480	104480				
50	Q			111.02	107.81	105.67	100.58				
	P										
SRC120L400X	30	Q	ECO		218440	196970	182650	151420	124260	100690	80410
		P			87.59	84.57	82.55	77.89	73.72	70.03	67.22
	40	Q	Liguid Temp=Saturation Temperature+10K		199530	179680	166450	137450	112230	90210	
50	Q			103.98	100.84	98.75	93.90	89.43	85.36		
	P			175570	157640	145690	119410				
50	Q			126.88	123.21	120.77	114.95				
	P										



◆ Remark

● Model designation

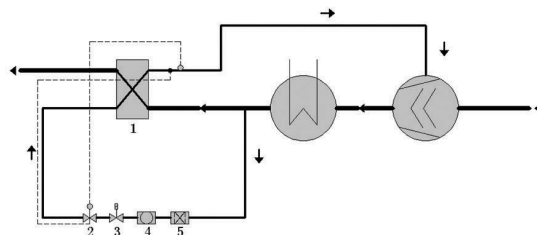
Model: SRC 140 H 400 X (.1)

No. of modification, (.1) donot mention
X: easter oil, if no mark, mineral oil
50Hz displacement (m³/h)
H high and mid Temp compressor (L mid and low temp compressor)
Norminated motor Power
Series code

● Accessories and Explanation for compressors supplied

Item	供货范围	QTY	SRC series compressor	
			High-Mid temp	Mid-Low temp
1	380V/3~/50Hz Y/Δ compressor	1	●	●
	Special Power supply compressor,		can made according to requirement	
2	Motor protect (PTC thermistor and protection module)	1	●	●
3	Discharge temp protect (PTC thermistor and protection module)	1	●	●
4	Oil temp protect (PTC thermistor and protection module)	1	●	●
5	Oil level control protect	1	●	●
6	oil pressure difference control protect	1	●	●
7	oil heater	1	●	●
8	25%, 50%, 75% energy control solenoid valve	3	●	●
9	liquid spray device	1	○	●
10	Economic system circulation device	1	○	○
11	secondary oil seperator	1	○	●
12	Gas return pipe filter (core replacable)	1	●	●
13	oil cooler	1	○	○
14	rubber washer	4	●	●
15	water proof silica glue	1	●	●
16	spare stop valve gasket	1	●	●

mark : ● — standard; ○ — optional; × — forbidon



USING NOTICE FOR THE REFRIGERATION COMPRESSORS

- ❖ Any operation of the refrigeration compressors or systems should be done by professional personnel.
- ❖ Before using the compressor, it is required to read the corresponding operation manual carefully. Any operation of the compressor should be done under the direction of the operation manual and the corresponding standard safety rules.
- ❖ It is forbidden to apply any flammable gas to make the pressure test or leakage test of the compressor and refrigeration system.
- ❖ It is forbidden to apply the semi-hermetic compressor to vacuum the system or start the compressor under the vacuumed condition or make the electric or insulating test. Before start the compressor, it should be made sure that the suction and discharge valve are both open.
- ❖ The compressor should be kept away from any heat source. When the compressor is running, the surface temperature of it could be under 0°C or over 100°C. Please keep away from it so as to avoid any burnt or frosted. During operation, please take care of the refrigerant, do not inhale or touch the refrigerant, or else, it could cause blindness or other hurt.
- ❖ Before connecting the compressor with the electricity, make sure the power supply is suitable for it and have earth connected. Before designing or selecting the relay cable or fuse, please refer to the parameters of the max working current and the max power consuming of the compressor. The electricity connection should be under the direction of the corresponding operation manual or the indication drawing in the connecting box of the compressor. Or else, there may be wrong phase of the magnetic field, rotor locked, screw compressor running in opposite direction and other dangerous faults.
- ❖ There would be two kinds of compressors for one displacement volume, one is for the high and middle temperature range and the other is for the middle and low temperature range. Please choose the proper one. The middle and low temperature range compressor can not be applied for those when the evaporating temp would be higher than -5°C, or the motor would be overloaded. The high and middle temperature range compressor should be applied for those when the evaporating temp would be lower than 25°C, or the compressor would be not so effective and would be overheated.
- ❖ It would be more reasonable, economic and energy saving to apply the single stage compressor when the evaporating temp is higher than -35°C, to apply the two stage compressor when the evaporating temp is between -45°C and -60°C. And if the evaporating temp would be lower than -60, it is suggested to apply the cascade system.
- ❖ It is forbidden to mix using the different lubricating oil.
- ❖ In order to make sure that the compressor can run stably, it is required to design the whole system reasonably, operate under standard rules and make necessary maintenance to the system.
- ❖ When the safety protect of the compressor working, the compressor stops. Please check and analyze the reason and solve timely before start it again. If there is liquid attack, motor burned, or rotor locked, the compressor broken. Please check detailly for the whole system instead of just replace a new compressor or repair the compressor only. Because if donot solve the problem of the system, the same fault would be happen again when replace with a good compressor.

— 心灵创造品牌 —
www.chinaxuemei.com



中国雪梅
CHINA XUEMEI

江苏雪梅制冷设备有限公司

JIANGSU XUEMEI REFRIGERATION EQUIPMENT CO.,LTD.

Add: No. 6th, Dongsheng Road Taizhou Jiangsu China
No. 2-102, East Fenghuang Road Taizhou Jiangsu China
Tel: 86-523-86226365
Fax: 86-523-86226365
Web: <http://www.chinaxuemei.com>
E-mail: dacc580@vip.163.com, info@chinaxuemei.com