

Data sheet

# Strainer

## Type FIA



FIA strainers are a range of angleway and straightway strainers, which are carefully designed to give favourable flow conditions. The design makes the strainer easy to install, and ensures quick strainer inspection and cleaning.

FIA strainers are used ahead of automatic controls, pumps, compressors etc., for initial plant start-up and where permanent filtration of the refrigerant is required. The strainer reduces the risk of undesirable system breakdowns and reduces wear and tear on plant components.

FIA strainers are equipped with a screen mesh of stainless steel, available in sizes 100, 150, 250 and 500 $\mu$  (microns\*), (US 150, 100, 72, 38 mesh\*).

\* Mesh is the number of threads per inch.  
 $\mu$  (microns) is the distance between two threads  
(1 $\mu$  = 1/1000 mm).

### Features

- Applicable to HCFC, HFC, R717 (Ammonia), R744 (CO<sub>2</sub>) and all flammable refrigerants.
- Modular Concept:
  - Each valve housing is available with several different connection types and sizes.
  - Possible to convert FIA strainers to any other product in the Flexline™ SVL family (shut-off valve, hand operated regulating valve, check & stop valve or check valve) just by replacing the complete top part.
- Fast and easy overhaul service. It is easy to replace the top part and no welding is needed.
- Filter net of stainless steel mounted direct without extra gaskets means easy servicing.
- Two types of strainer inserts are available:
  - A plain insert of stainless steel.
  - A pleated insert (DN 15-200) with extra large surface, which ensures long intervals between cleaning and low pressure drop.
- FIA 15-40 (½ – 1 ½ in.):  
A special insert (50 $\mu$ ) can be used in combination with a standard version when cleaning a plant during commissioning.
- FIA 50-200 (2 - 8 in.):  
A large capacity filter bag (50 $\mu$ ) can be inserted for cleaning plant during commissioning.
- FIA 80-200 (3 - 8 in.) can be equipped with a magnetic insert for detention of iron particles and other magnetic particles.
- Each strainer clearly marked with type, size and performance range
- Housing and bonnet of low temperature steel in accordance with the requirements of the Pressure Equipment Directive and those of other international classification authorities
- Temperature range: -60/+150°C (-76/+302°F)
- Max. working pressure: 52 bar g (754 psi g)
- Classification: DNV, CRN, BV, EAC etc.  
To get an updated list of certification on the products please contact your local Danfoss Sales Company.

**Design**
**Connections**

Available with the following connections:

- Butt-weld ANSI (B 36.10 Schedule 80), DN 15 - 40 (½ - 1½ in.)
- Butt-weld ANSI (B 36.10 Schedule 40), DN 50 - 200 (2 - 8 in.)
- Socket Weld (ANSI B 16.11), DN 15 - 50 (½ - 2 in.)
- FPT Female Pipe Thread, NPT (ANSI/ASME B 1.20.1), DN 15 - 32 (½ - 1¼ in.)

**Strainer Insert**

A filter grid and filter net of stainless steel ensure long element life. The filter net offers a very high degree of cleanability.

**Housing**

The strainer housing is made of special, cold resistant steel.

**Pressure Equipment Directive (PED)**

FIA strainers are approved in accordance with the European standard specified in the Pressure Equipment Directive and are CE marked. For further details / restrictions - see Installation Instruction



<b>Nominal bore</b>	DN ≤ 25 (1 in.)	DN 32-80 mm (1¼ - 3 in.)	DN 100-200 mm (4-8 in.)
<b>Classified for</b>	Fluid group I		
<b>Category</b>	Article 3, paragraph 3	II	III

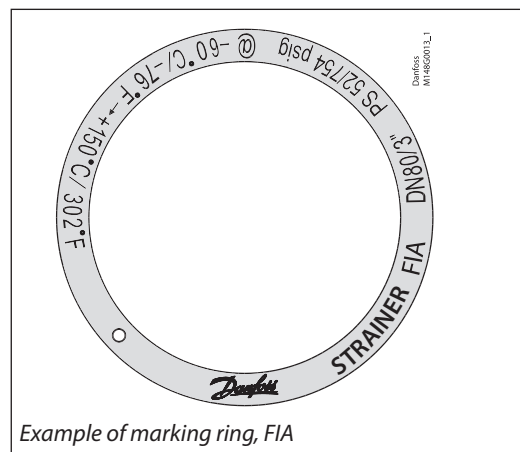
**Installation/Maintenance**

The strainer is designed to resist high internal pressures. However, the piping system in general should be designed to avoid liquid traps and reduce the risk of hydraulic pressure caused by thermal expansion.

Danfoss recommends replacement/cleaning of the strainer when the differential pressure loss >0.5 bar (7.3 psi) in the liquid line and >0.05 bar (0.7 psi) in the suction line. The max. permissible differential pressure is 1 bar (15 psi).

Install the strainer with the cover in downward position.

For further information refer to installation instruction for FIA.

**Identification:**


Example of marking ring, FIA

**Technical data**

- **Refrigerants**  
Applicable to HCFC, HFC, R717 (Ammonia), R744 (CO<sub>2</sub>) and all flammable refrigerants.
- **Temperature range**  
-60°C/+150°C (-76°F/+302°F).
- **Max. working pressure:**  
52 bar g (754 psi g).

## Data sheet | Strainer, type FIA

### Selection of strainer size

The mesh aperture size of the strainer must satisfy the requirements stated by the suppliers of the equipment to be protected.

The following recommendations of aperture size apply in general to refrigeration installations:

#### All lines

First start up: ..... **50 $\mu$**   
 (Use strainer insert with removable insert for FIA DN15-40 or separate filter bag for FIA DN 50-200. 50 $\mu$  insert should normally be removed after the first 24 hours of operation)

#### Liquid Lines

Ahead of pumps: ..... **500 $\mu$**  [38 mesh]  
 After pumps: ..... **150 $\mu$**  [100 mesh] / 250 $\mu$  [72 mesh]  
 In front of AKVA valves ..... **100 $\mu$**  [150 mesh]

#### Protection of automatic regulation equipment

Generally ..... **150 $\mu$**  [100 mesh] / 250 $\mu$  [72 mesh]  
 Sensitive equipment, e.g.  
 suction regulators with low temperature ..... **250 $\mu$**  [72 mesh]

#### Definition

Mesh is the number of threads per inch.  
 $\mu$  (microns) is the distance between two threads ( $1\mu = 1/1000$  mm).

#### Suction Lines

Ahead of screw compressor ..... **250 $\mu$**  [72 mesh]  
 Ahead of piston compressor ..... **150 $\mu$**  [100 mesh]

#### Flow coefficient (DIN/ANSI)

Connection size (DN) FIA	$\mu$	mesh	wire mm	wire in.	free space %	screen area			
						Plain inserts		Pleated inserts	
						cm <sup>2</sup>	in <sup>2</sup>	cm <sup>2</sup>	in <sup>2</sup>
15 - 20 (½" - ¾")	100		0.068	0.003	35	25	3.9	45	7.0
	150	100	0.10	0.004	36	25	3.9	45	7.0
	250	72	0.10	0.004	51	25	3.9	45	7.0
	500	38	0.16	0.006	57.6	25	3.9	45	7.0
25 - 40 (1" - 1½")	100		0.068	0.003	35	71	11	160	25.0
	150	100	0.10	0.004	36	71	11	160	25.0
	250	72	0.10	0.004	51	71	11	160	25.0
	500	38	0.16	0.006	57.6	71	11	160	25.0
50 (2")	100		0.068	0.003	35	71	11	200	31.2
	150	100	0.10	0.004	36	87	13.5	200	31.2
	250	72	0.10	0.004	51	87	13.5	200	31.2
	500	38	0.16	0.006	57.6	87	13.5	200	31.2
65 (2½")	150	100	0.10	0.004	36	127	19.7	305	47.6
	250	72	0.10	0.004	51	127	19.7	305	47.6
	500	38	0.16	0.006	57.6	127	19.7	305	47.6
80 (3")	150	100	0.10	0.004	36	205	31.8	450	70.2
	250	72	0.10	0.004	51	205	31.8	450	70.2
	500	38	0.16	0.006	57.6	205	31.8	450	70.2
100 (4")	150	100	0.10	0.004	36	370	57.4	790	123.2
	250	72	0.10	0.004	51	370	57.4	790	123.2
	500	38	0.16	0.006	57.6	370	57.4	790	123.2
125 (5")	150	100	0.10	0.004	36	510	79.1	1105	172.4
	250	72	0.10	0.004	51	510	79.1	1105	172.4
	500	38	0.16	0.006	57.6	510	79.1	1105	172.4
150 (6")	150	100	0.10	0.004	36	726	112.5	1600	249.6
	250	72	0.10	0.004	51	726	112.5	1600	249.6
	500	38	0.16	0.006	57.6	726	112.5	1600	249.6
200 (8")	150	100	0.10	0.004	36	1315	203.8	2900	453.1
	250	72	0.10	0.004	51	1315	203.8	2900	453.1
	500	38	0.16	0.006	57.6	1315	203.8	2900	453.1

**Selection of strainer size**  
(Continued)

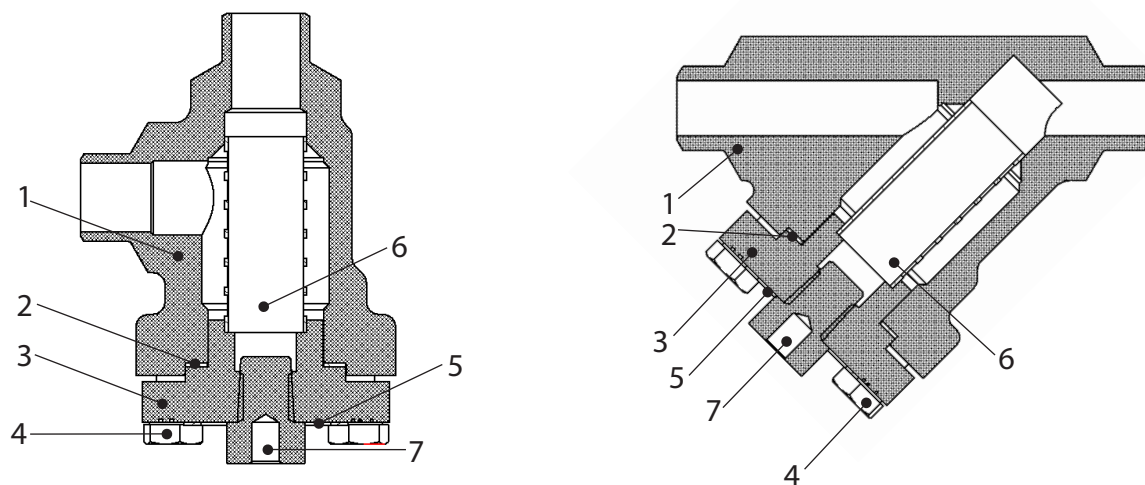
*K<sub>v</sub> values*

DN	FIA angle - plain filter net				FIA angle - pleated filter net		
	μ100	μ150	μ250	μ500	μ150	μ250	μ500
15	3.3	3.4	3.5	3.7	4.2		
20	6.9	7.1	7.3	7.7	8.8		
25	13.8	14.0	14.5	15.2	17.2	17.9	
32	23.0	23.8	24.7	25.5	29.2	30.5	
40	25.1	25.5	26.4	28.1	31.4	32.6	
50	45.1	45.9	47.6	50.2	56.7	58.8	62.0
65		56.1	57.8	60.4	69.3	71.4	74.6
80		104.6	108.0	113.1	129.2	133.4	139.7
100		162.4	167.5	176.0	200.6	206.9	217.4
125		275.4	283.9	298.4	340.2	350.7	368.6
150		362.1	373.2	391.9	447.3	462.9	
200		572.9	590.8	620.5	704.9	730.0	

DN	FIA straight - plain filter net				FIA straight - pleated filter net		
	μ100	μ150	μ250	μ500	μ150	μ250	μ500
15	2.5	2.6	2.7	2.8	3.3		
20	5.3	5.4	5.6	5.9	6.9		
25	10.5	10.7	11.1	11.6	13.8	14.5	
32	17.6	18.2	18.9	19.5	23.9	24.7	
40	19.2	19.5	20.2	21.5	25.5	26.4	
50	34.5	35.1	36.4	38.4	45.9	47.6	50.2
65		42.9	44.2	46.2	56.1	57.8	60.4
80		80.0	82.6	86.5	104.6	108.0	113.1
100		124.2	128.1	134.6	162.4	167.5	176.0
125		210.6	217.1	228.2	275.4	283.9	298.4
150		276.9	285.4	299.7	362.1	374.0	
200		438.1	451.8	474.5	570.8	587.3	

Material specification

FIA 15 - 40 (½ in. - 1 ½ in.)

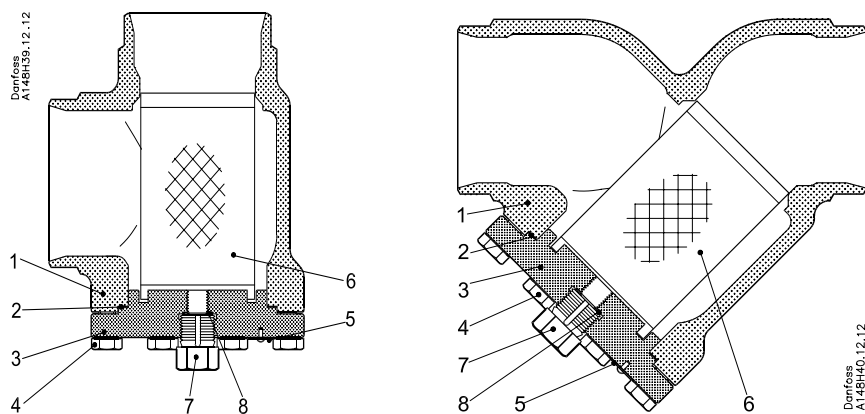


FIA 15-40 (½ in. - 1 ½ in.)

No.	Part	Material	DIN	ISO	ASTM
1	Housing	Steel	G20Mn5QT, 10213-3 ----- P285QH+QT, 10222-4		LCC, A352 ----- LF2, A350
2	Gasket	Fibre, Non-asbestos			
3	Cover	Steel	P285QH EN10222-4 ----- P275NL1 or 2 EN10028-3		LF2, A350 ----- A, A662
4	Bolts	Stainless steel	A2-70	A2-70	Type 308
5	Marking label	Aluminium			
6	Strainer insert	Stainless steel			
7	Pressure relief screw NPT ¼"	Stainless steel			

Material specification

FIA 50 - 200 (2 in. - 8 in.)



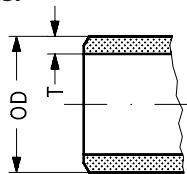
FIA 50-200 (2 in. - 8 in.)

No.	Part	Material	DIN	ISO	ASTM
1	Housing	Steel	G20Mn5QT, 10213-3 ----- P285QH+QT, 10222-4		LCC, A352 ----- LF2, A350
2	Gasket	Fibre, Non-asbestos			
3	Cover	Steel	P285QH EN10222-4 ----- P275NL1 or 2 EN10028-3		LF2, A350 ----- A, A662
4	Bolts	Stainless steel	A2-70	A2-70	Type 308
5	Marking label	Aluminium			
6	Strainer insert	Stainless steel			
7	Pressure relief screw G½"	Stainless steel			
8*	Packing washer	Aluminium			

\* pos 8 used in FIA 50-200

Connections

ANSI



Size mm	Size in.	OD mm	T mm	OD in.	T in.
---------	----------	-------	------	--------	-------

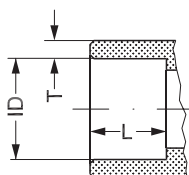
Butt-weld ANSI (B 36.10 Schedule 80)

15	½	21.3	3.7	0.839	0.146
20	¾	26.9	4.0	1.059	0.158
25	1	33.7	4.6	1.327	0.181
32	1¼	42.4	4.9	1.669	0.193
40	1½	48.3	5.1	1.902	0.201

Butt-weld ANSI (B 36.10 Schedule 40)

50	2	60.3	3.9	2.37	0.15
65	2½	73.0	5.2	2.87	0.20
80	3	88.9	5.5	3.50	0.22
100	4	114.3	6.0	4.50	0.24
125	5	141.3	6.6	5.56	0.26
150	6	168.3	7.1	6.63	0.28
200	8	219.1	8.2	8.63	0.32

SOC

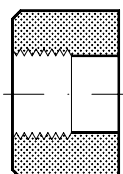


Size mm	Size in.	ID mm	T mm	ID in.	T in.
---------	----------	-------	------	--------	-------

Socket welding ANSI (B 16.11)

15	½	21.8	6.0	0.858	0.235
20	¾	27.2	4.6	1.071	0.181
25	1	33.9	7.2	1.335	0.284
32	1¼	42.7	6.1	1.743	0.240
40	1½	48.8	6.6	1.921	0.260
50	2	61.2	6.2	2.41	0.24

FPT



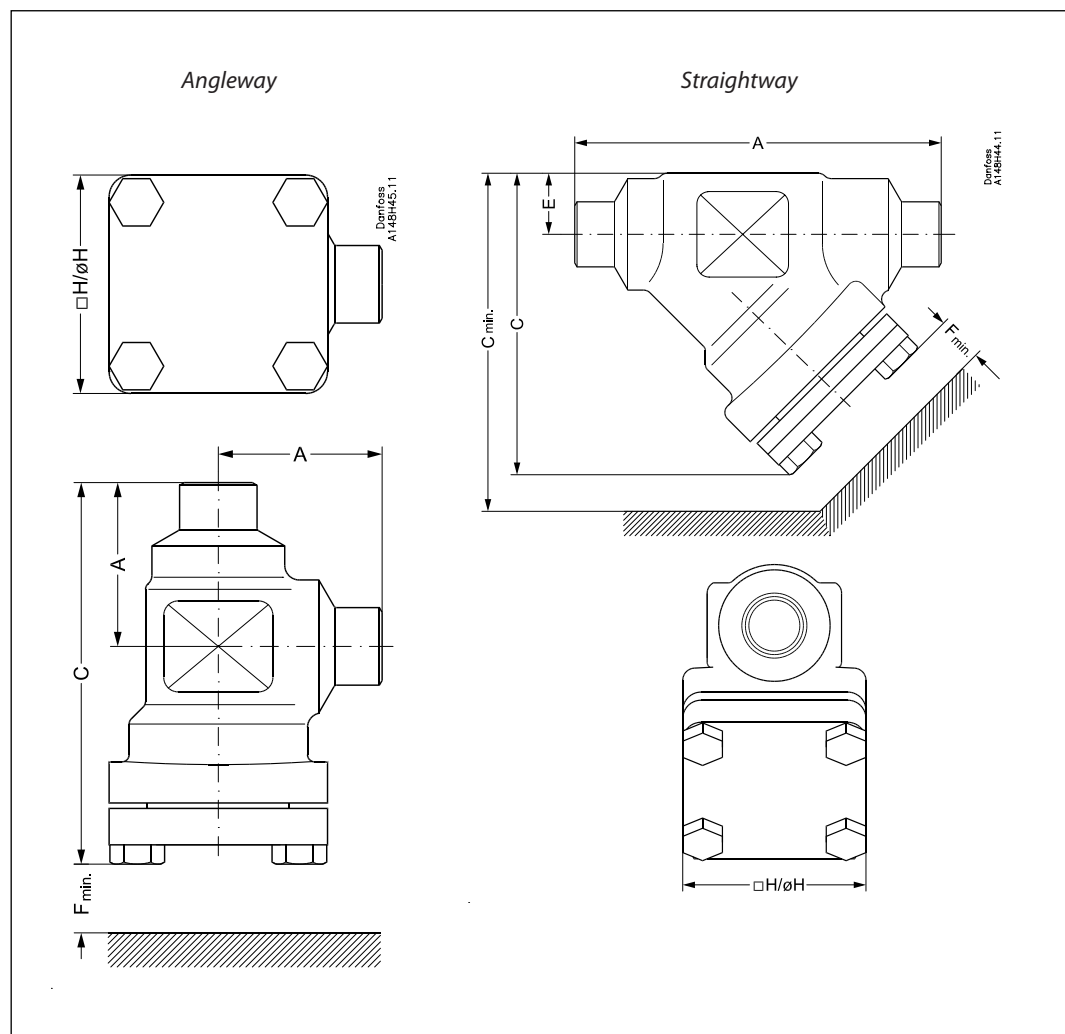
Size mm	Size in.	Inside pipe tread
---------	----------	-------------------

FPT inside pipe thread, NPT (ANSI/ASME B 1.20.1)

15	½	(½ × 14 NPT)
20	¾	(¾ × 14 NPT)
25	1	(1 × 11.5 NPT)
32	1¼	(1¼ × 11.5 NPT)

Dimensions and weights

FIA 15 - 65



Angleway

Strainer size		A	C	H	F <sub>min.</sub>	Weight
FIA 15-20 (½" - ¾")	mm	45	105	60	68	1.1 kg
	in.	1.77	4.13	2.36	2.68	2.4 lbs
FIA 25-40 (1" - 1½")	mm	55	132	70	95	1.7 kg
	in.	2.17	5.20	2.76	3.74	3.7 lbs
FIA 50 (2")	mm	60	132	77	92	2.8 kg
	in.	2.36	5.20	3.03	3.62	6.2 lbs
FIA 65 (2½")	mm	70	152	90	107	3.8 kg
	in.	2.76	5.98	3.54	4.21	8.4 lbs

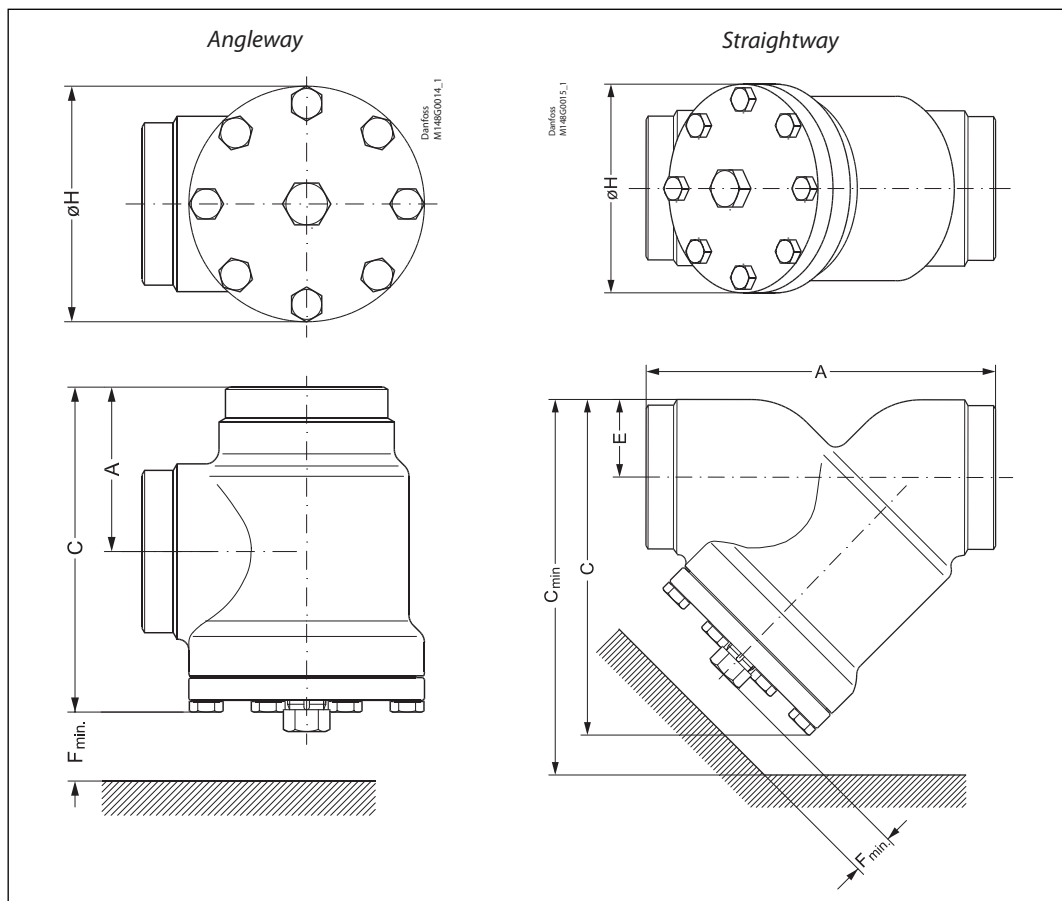
Straightway

Strainer size		A	C	C <sub>min.</sub>	H	E	F <sub>min.</sub>	Weight
FIA 15-20 (½" - ¾")	mm	120	99	133	60	20	68	1.4 kg
	in.	4.72	3.90	5.24	2.36	0.79	2.68	3.1 lbs
FIA 25-40 (1" - 1½")	mm	155	129	177	70	26	95	2.4 kg
	in.	6.10	5.08	6.97	2.76	1.02	3.74	5.3 lbs
FIA 50 (2")	mm	148	138	184	77	32	92	3.5 kg
	in.	5.83	5.43	7.24	3.03	1.26	3.62	7.7 lbs
FIA 65 (2½")	mm	176	165	219	90	40	107	5.3 kg
	in.	6.93	6.50	8.62	3.54	1.57	4.21	11.7 lbs



Dimensions and weights

FIA 80 - 200



Angleway

Strainer size		A	C	H	F <sub>min.</sub>	Weight
FIA 80 (3")	mm	90	189	129	133	7.3 kg
	in.	3.54	7.44	5.08	5.24	16.1 lbs
FIA 100 (4")	mm	106	223	156	163	11.9 kg
	in.	4.17	8.78	6.14	6.42	26.2 lbs
FIA 125 (5")	mm	128	268	192	190	21.2 kg
	in.	5.04	10.6	7.56	7.48	46.7 lbs
FIA 150 (6")	mm	145	303	219	223	30.5 kg
	in.	5.71	11.93	8.62	8.78	67.2 lbs
FIA 200 (8")	mm	180	372	276	280	68 kg
	in.	7.09	14.65	10.87	11.02	150 lbs

Straightway

Strainer size		A	C	C <sub>min.</sub>	H	E	F <sub>min.</sub>	Weight
FIA 80 (3")	mm	216	204	271	129	48	133	8.6 kg
	in.	8.50	8.03	10.67	5.08	1.89	5.24	19 lbs
FIA 100 (4")	mm	264	256	337	156	60	163	14.9 kg
	in.	10.39	10.08	13.27	6.14	2.36	6.42	32.8 lbs
FIA 125 (5")	mm	322	313	408	192	74	190	26.9 kg
	in.	12.68	12.32	16.06	7.56	2.91	7.48	59.3 lbs
FIA 150 (6")	mm	370	370	482	219	91	223	51 kg
	in.	14.57	14.57	18.98	8.62	3.58	8.78	112 lbs
FIA 200 (8")	mm	464	465	605	276	117	280	95 kg
	in.	18.27	18.31	23.82	10.87	4.61	11.02	209 lbs

## Data sheet | Strainer, type FIA

### Ordering

The table below is used to identify the strainer required. Please note that you have to order **FIA strainer without insert, a strainer insert** and **accessories**.

Size		Type	FIA Without strainer insert	Strainer insert	Strainer insert	Strainer insert	Strainer insert	Pleated Strainer insert	Pleated Strainer insert	Pleated Strainer insert
mm	in.			100 $\mu$ 150 mesh	150 $\mu$ 100 mesh	250 $\mu$ 72 mesh	500 $\mu$ 38 mesh	150 $\mu$ 100 mesh	250 $\mu$ 72 mesh	500 $\mu$ 38 mesh

#### Butt-weld ANSI (B 36.10 Schedule 80) - Angleway

15	1/2	FIA 15 A ANG	148B5244
20	3/4	FIA 20 A ANG	148B5344
25	1	FIA 25 A ANG	148B5444
32	1 1/4	FIA 32 A ANG	148B5545
40	1 1/2	FIA 40 A ANG	148B5644

148H3122	148H3124	148H3126	148H3128	148H3303	148H3363	-
148H3123	148H3125	148H3127	148H3129	148H3304	148H3269	-

#### Butt-weld ANSI (B 36.10 Schedule 80) - Straightway

15	1/2	FIA 15 A STR	148B5247
20	3/4	FIA 20 A STR	148B5347
25	1	FIA 25 A STR	148B5447
32	1 1/4	FIA 32 A STR	148B5552
40	1 1/2	FIA 40 A STR	148B5644

148H3122	148H3124	148H3126	148H3128	148H3303	148H3363	-
148H3123	148H3125	148H3127	148H3129	148H3304	148H3269	-

#### Butt-weld ANSI (B 36.10 Schedule 40) - Angleway

50	2	FIA 50 A ANG	148B5714
65	2 1/2	FIA 65 A ANG	148B5814
80	3	FIA 80 A ANG	148B5907
100	4	FIA 100 A ANG	148B6008
125	5	FIA 125 A ANG	148B6107
150	6	FIA 150 A ANG	148B6204
200	8	FIA 200 A ANG	148B6304

148H3157	148H3130	148H3138	148H3144	148H3179	148H3184	148H3189
-	148H3131	148H3139	148H3145	148H3180	148H3185	148H3190
-	148H3119	148H3120	148H3121	148H3181	148H3186	148H3191
-	148H3132	148H3140	148H3146	148H3182	148H3187	148H3192
-	148H3133	148H3141	148H3147	148H3183	148H3188	148H3193
-	148H3134	148H3142	148H3148	148H3226	148H3293*	-
-	148H3135	148H3143	148H3149	148H3297	148H3294*	-

#### Butt-weld ANSI (B 36.10 Schedule 40) - Straightway

50	2	FIA 50 A STR	148B5716
65	2 1/2	FIA 65 A STR	148B5815
80	3	FIA 80 A STR	148B5908
100	4	FIA 100 A STR	148B6009
125	5	FIA 125 A STR	148B6108
150	6	FIA 150 A STR	148B6205
200	8	FIA 200 A STR	148B6305

148H3157	148H3130	148H3138	148H3144	148H3179	148H3184	148H3189
-	148H3131	148H3139	148H3145	148H3180	148H3185	148H3190
-	148H3119	148H3120	148H3121	148H3181	148H3186	148H3191
-	148H3132	148H3140	148H3146	148H3182	148H3187	148H3192
-	148H3133	148H3141	148H3147	148H3183	148H3188	148H3193
-	148H3134	148H3142	148H3148	148H3226	148H3293*	-
-	148H3135	148H3143	148H3149	148H3297	148H3294*	-

A = Butt-weld ANSI

ANG = Angleway

STR = Straightway

\* 60 mesh

## Data sheet | Strainer, type FIA

### Ordering (continued)

Size		Type	FIA Without strainer insert	Strainer insert	Strainer insert	Strainer insert	Strainer insert	Pleated Strainer insert	Pleated Strainer insert	Pleated Strainer insert
mm	in.			100 $\mu$ 150 mesh	150 $\mu$ 100 mesh	250 $\mu$ 72 mesh	500 $\mu$ 38 mesh	150 $\mu$ 100 mesh	250 $\mu$ 72 mesh	500 $\mu$ 38 mesh

#### FPT inside pipe thread, NPT (ANSI/ASME B 1.20.1) - Angleway

15	1/2	FIA 15 FTP ANG	148B5246	148H3122	148H3124	148H3126	148H3128	148H3303	148H3363	-
20	3/4	FIA 20 FTP ANG	148B5346	148H3123	148H3125	148H3127	148H3129	148H3304	148H3269	-
25	1	FIA 25 FTP ANG	148B5446							
32	1 1/4	FIA 32 FTP ANG	148B5547							

#### FPT inside pipe thread, NPT (ANSI/ASME B 1.20.1) - Straightway

15	1/2	FIA 15 FTP STR	148B5249	148H3122	148H3124	148H3126	148H3128	148H3303	148H3363	-
20	3/4	FIA 20 FTP STR	148B5349	148H3123	148H3125	148H3127	148H3129	148H3304	148H3269	-
25	1	FIA 25 FTP STR	148B5449							
32	1 1/4	FIA 32 FTP STR	148B5549							

#### Socket welding ANSI (B 16.11) - Angleway

15	1/2	FIA 15 SOC ANG	148B5245	148H3122	148H3124	148H3126	148H3128	148H3303	148H3363	-
20	3/4	FIA 20 SOC ANG	148B5345	148H3123	148H3125	148H3127	148H3129	148H3304	148H3269	-
25	1	FIA 25 SOC ANG	148B5445							
32	1 1/4	FIA 32 SOC ANG	148B5546							
40	1 1/2	FIA 40 SOC ANG	148B5643	148H3157	148H3130	148H3138	148H3144	148H3179	148H3184	148H3189
50	2	FIA 50 SOC ANG	148B5715							

#### Socket welding ANSI (B 16.11) - Straightway

15	1/2	FIA 15 SOC STR	148B5248	148H3122	148H3124	148H3126	148H3128	148H3303	148H3363	-
20	3/4	FIA 20 SOC STR	148B5348	148H3123	148H3125	148H3127	148H3129	148H3304	148H3269	-
25	1	FIA 25 SOC STR	148B5448							
32	1 1/4	FIA 32 SOC STR	148B5548							
40	1 1/2	FIA 40 SOC STR	148B5645	148H3157	148H3130	148H3138	148H3144	148H3179	148H3184	148H3189
50	2	FIA 50 SOC STR	148B5717							

- SOC = Socket welding
- FPT = Inside pipe thread
- ANG = Angleway
- STR = Straightway

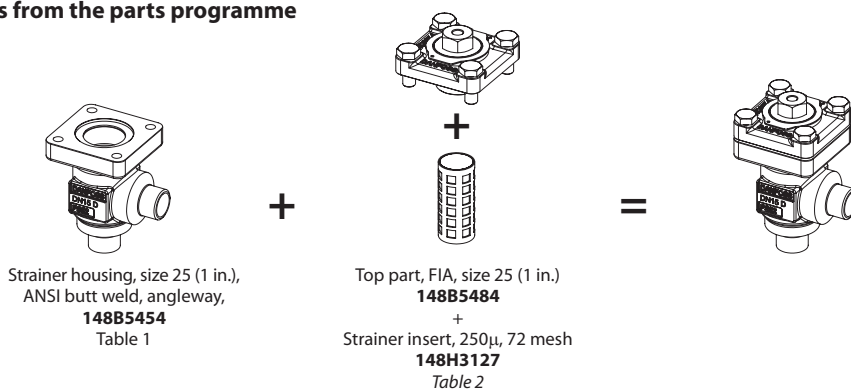
### Accessories

Part	Accessory for	Code number
Magnet insert	FIA 80-100	148H3447
	FIA 125-200	148H3448
Part	Accessory for	Code number
Strainer insert $\mu$ 150 with removable insert $\mu$ 50 for the first start up	FIA 15-20	148H3301
	FIA 25-40	148H3302
Part	Accessory for	Code number
Filter bag	FIA 50	148H3150
	FIA 65	148H3151
	FIA 80	148H3152
	FIA 100	148H3153
	FIA 125	148H3154
	FIA 150	148H3155
	FIA 200	148H3156

## Data sheet | Strainer, type FIA

### Ordering FIA strainers from the parts programme

**Example**  
(select from  
table 1 and 2)



**Table 1**  
SVL valve housings  
w/different  
connections

Sizes [DN]		DN 15-65 mm (½ - 2½ in.)				DN 80-125 mm (3 - 5 in.)			
		ANSI-Butt weld		SOC		FPT		FPT	
mm	in.	ANG	STR	ANG	STR	ANG	STR	ANG	STR
15	½	148B5254	148B5255	148B5256	148B5257	148B5258	148B5259		
20	¾	148B5354	148B5355	148B5356	148B5357	148B5358	148B5359		
25	1	148B5454	148B5455	148B5456	148B5457	148B5458	148B5459		
32	1¼	148B5578	148B5579	148B5580	148B5581	148B5582	148B5583		
40	1½	148B5654	148B5655	148B5656	148B5657				
50	2	148B5743	148B5744	148B5745	148B5746				
65	2½	148B5818	148B5819						
80	3	148B5914	148B5915						
100	4	148B6016	148B6017						
125	5	148B6114	148B6115						

**Table 2**  
FIA complete top  
part including  
gaskets and bolts

Sizes [DN]		FIA 15-65		FIA 80-125								
		Complete top part FIA										
mm	in.					Strainer insert 100µ 150 mesh	Strainer insert 150µ 100 mesh	Strainer insert 250µ 72 mesh	Strainer insert 500µ 38 mesh	Pleated Strainer insert 150µ 100 mesh	Pleated Strainer insert 250µ 72 mesh	Pleated Strainer insert 500µ 38 mesh
15	½	148B5284				148H3122	148H3124	148H3126	148H3128	148H3303	-	-
20	¾	148B5484				148H3123	148H3125	148H3127	148H3129	148H3304	148H3269	-
25	1	148B5748				148H3157	148H3130	148H3138	148H3144	148H3179	148H3184	148H3189
32	1¼	148B5832				-	148H3131	148H3139	148H3145	148H3180	148H3185	148H3190
40	1½	148B5922				-	148H3119	148H3120	148H3121	148H3181	148H3186	148H3191
50	2	148B6024				-	148H3132	148H3140	148H3146	148H3182	148H3187	148H3192
65	2½	148B6122				-	148H3133	148H3141	148H3147	148H3183	148H3188	148H3193







ENGINEERING  
TOMORROW

