

RefComp Products Catalogue

RefComp Italy S.R.L
Address: Lonigo (VI) Italy-Via Fermi, 6
Tel: +39 0444 726726
Fax: +39 0444 436386

FUJIAN SNOWMAN CO., LTD.
Address: Dongjiang Road, Minjiangkou Industrial District Fujian, China.
Tel: +86 (591) 28701111
Fax: +86 (591) 28709222
Website: www.snowman.cn
E-mail: service@snowman.com
Service hotline: +86 (591) 28653300

Distributors:

Snowman reserves the right to change its products without notice in advance. The technical parameters shall be subject to order contract or technical appendix of the contract.

RefComp Italy

The World Famous Brand for Screw Compressor and Piston Compressor

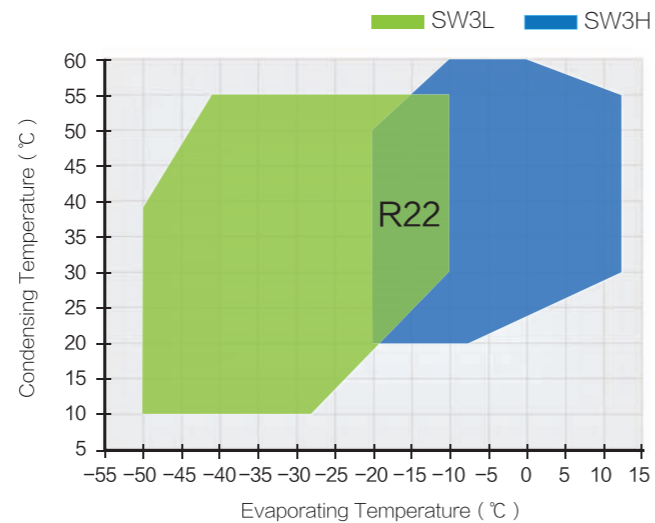


CONTENT

Description	Page
RefComp SW Semi-hermetic Screw Compressor	01
RefComp SW5L Semi-hermetic Screw Compressor	02
RefComp SRC-S Semi-hermetic Screw Compressor	03
RefComp 134-S Semi-hermetic Screw Compressor	04
RefComp 134-I Semi-hermetic Variable Frequency Screw Compressor	05
RefComp SP Single-Stage Piston Compressor	06
RefComp SB Two-Stage Piston Compressor	07
RefComp SPS Piston Compressor	08
RefComp SPT Piston Compressor	09
RefComp SPM Marine Piston Compressor	10
SW3 Low Temp Semi-hermetic Compressor (Condensing) Unit	11
SW3 Medium/High Temp Semi-hermetic Compressor (Condensing) Unit	12
SW5L Semi-hermetic Compressor (Condensing) Unit	13
SP (L) Low Temp Piston Compressor (Condensing) Unit	14
SP(H)Medium/High Temp Piston Compressor (Condensing) Unit	15
Box Type Condensing Unit	16
Micro-channel Type Condensing Unit	17
Semi-hermetic Type Water Chiller	18

RefComp SW Semi-hermetic Screw Compressor

RefComp SW Semi-hermetic Screw Refrigeration Compressors include SW3H Series and SW3L Series with 28 models. Displacement: 118-700 m³/h (@ 50Hz), Nominal Power: 30-240HP. Both SW3H and SW3L are for medium-high and low temperature refrigeration respectively, down to -50°C. Applicable freon refrigerants including R22, R134A, R507A, R404A, R407C.



- Asymmetric screw rotor designed by RefComp, lobe ratio profile 5/6, excellent lubrication, perfect meshing between teeth, smooth and quiet operation.
- Small size, filter, cut-off valve, and temperature sensor are integrated into the compressor body. Optimized design, less space required.
- Motor protection module provides reliable protection against motor overheating, phase reversal and phase loss.
- Real-time tracking provides the operation status of the motor and system.

- Multiple duplex bearings are able to avoid rotor axial / radial wear, resulting in high load and low noise.
- Embedded suction filter.
- Solenoid valve conducts capacity control, with step or stepless, in line with full or partial load.
- Unique structure and space design, using subcooled refrigerant gas between suction shut-off valve and the inlet side of the screw to effectively cool down the motor.
- Suction/discharge shut-off valves are able to reverse 360°, which is easily installed with flexibility.

Technical Parameters

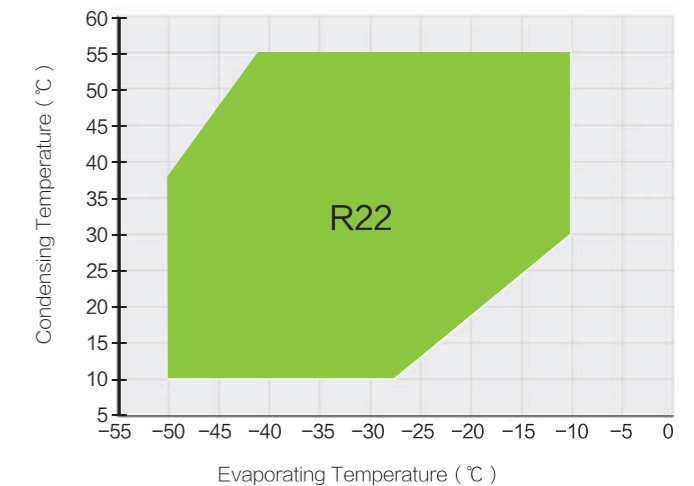
Model		SW3H							
		4000	5000	6000	7500	9000	10500	11500	12500
Nominal Power	Hp/kW	40/30	50/37	60/45	75/55	90/67	105/78	115/78	125/89
Displacement 50/60 (Hz)	m ³ /h	118/142	150/180	175/210	205/246	237/284	286/343	318/382	341/409
Weight	kg	245	255	265	410	420	535	540	545
Standard Motor		400V/3/50Hz - 460/3/60Hz							
(Y/Δ) Starting Current	A	131/398	134/406	182/547	139/459	193/580	338/1015	318/953	318/953
Max Running Current	A	75	90	105	124	140	168	182	196

Model		SW3L							
		3000	4000	5000	6000	7000	8000	9500	10500
Nominal Power	Hp/kW	30/22	40/30	50/37	60/45	70/52	80/60	95/71	105/78
Displacement 50/60 (Hz)	m ³ /h	118/142	150/180	175/210	205/246	237/284	286/343	318/382	341/409
Weight	kg	245	255	265	410	420	520	525	530
Standard Motor		400V/3/50Hz - 460/3/60Hz							
(Y/Δ) Starting Current	A	110/331	131/398	134/406	139/422	139/459	223/670	318/953	318/953
Max Running Current	A	65	80	88	103	117	139	154	163

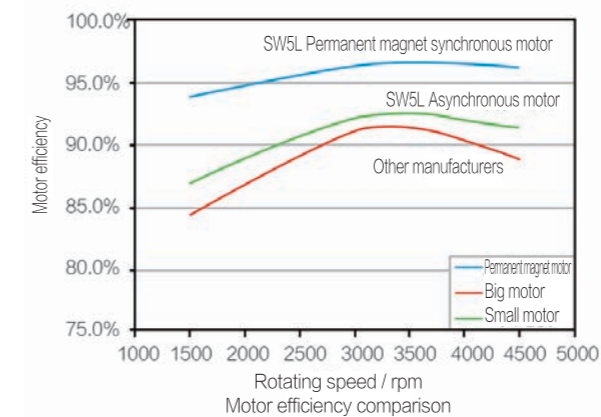
Note: The above-listed are only some of the models. for more information, please contact us directly.

RefComp SW5L Semi-hermetic Screw Compressor

RefComp SW5L is the newly designed semi-hermetic screw compressor with high efficiency and variable frequency, exclusively for the medium-low temperature range. Inlet temperature range: -45 °C - +20 °C and outlet temperature range: +40°C - +120°C. This series include 20 models, with displacement range: 85-850m³/h, nominal power range: 20HP-250HP, various applicable freon refrigerants including R507A, R404A, R134a, R22 and R407C. This series can be widely applied to ice storage projects, food quick freezing, marine refrigeration, low temperature storage, etc..



Comparison of Efficiency between Permanent Magnet Synchronous Motors and Asynchronous Motors



- "I" type patented profile, lobe ratio: 5+7, high efficiency, smooth operation.
- Rotor is made of high-quality forged steel, with high strength and high wear-resistance.
- More compact design: 10% shorter and 23% lower than SW3 Series.
- Easily assembled or disassembled: suction/discharge shut-off valves can be installed on either side flexibly.
- Adjustable internal volume ratio: the V_i can be adjusted to the ideal state in accordance to the operating condition changes, so that the compressor can achieve its max. operating efficiency.
- Compressor includes multiple safety and protection devices, ensuring its long-term, safe, high-efficiency operation.
- High-efficient variable frequency motor available upon request: the speed can be adjusted according to the load changes, and the motor's operating efficiency is improved accordingly.

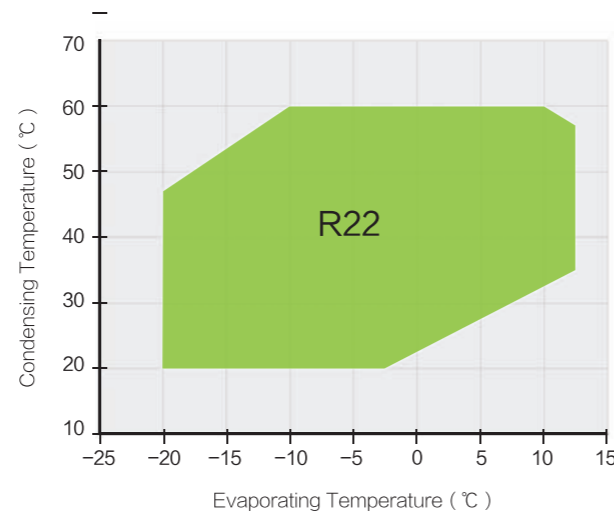
Technical Parameters

Model	Suction Line Size (mm)	Discharge Line Size (mm)	Dimensions (mm)			Displacement (m ³ /h)		Rated Power (kW)
			L	W	H	50Hz	60Hz	
SW5L020	54	42	803	465	411	84	100	15.00
SW5L025	54	42	803	465	411	100	120	18.75
SW5L030	54	42	803	465	411	120	144	22.50
SW5L040	54	42	890	490	390	140	168	30.00
SW5L050	54	42	890	490	390	168	201	37.50
SW5L060	80	54	1044	586	486	210	252	45.00
SW5L070	80	54	1044	586	486	230	276	52.00
SW5L075	80	54	1044	586	486	250	300	55.00
SW5L090	92	67	1280	600	501	310	372	67.00
SW5L100	92	67	1280	600	501	340	408	74.50
SW5L110	92	67	1280	600	501	370	444	89.00
SW5L125	105	80	1348	798	627	420	504	89.00
SW5L140	105	80	1348	798	627	450	540	112.00
SW5L150	105	80	1348	798	627	500	600	112.00

Note: The above-listed are only some of the models. for more information, please contact us directly.

RefComp SRC-S Semi-hermetic Screw Compressor

RefComp SRC-S Series include 18 models, applicable in the refrigeration conditions of medium and high evaporating temperatures. SRC-S compressors are characterized by embedded oil separator, compact design, easy installation, low noise, high efficiency, etc.. They can be best configured in line with various applications and conditions, e.g. full-flooded normal-temperature/high-temperature heat pump and water chiller.



- Asymmetric screw rotor designed by RefComp, lobe ratio 5/6, excellent lubrication, perfect meshing between teeth, smooth and quiet operation of the compressor.
- Small size, filter, cut-off valve, and temperature sensor are integrated into the compressor body. Optimized design, less space required.
- Motor protection module provides reliable protection against motor overheating, phase reversal and phase loss.
- Real-time tracking provides the operation status of the motor and system.
- Multiple duplex bearings is able to avoid rotor axial / radial

- wear, resulting in high load and low noise.
- Embedded oil separator.
- Multi-step separation, oil efficiency as high as 99.85%.
- Embedded 100 μm high-density suction filter, easy to replace.
- Unique structure and space design, using the subcooled refrigerant gas between suction shut-off valve and the inlet side of the screw to effectively cool down the motor.
- Suction/discharge shut-off valves are able to reverse 360°, which are easily installed with flexibility.
- Embedded safety valve: high specification design, safe and reliable.

Technical Parameters

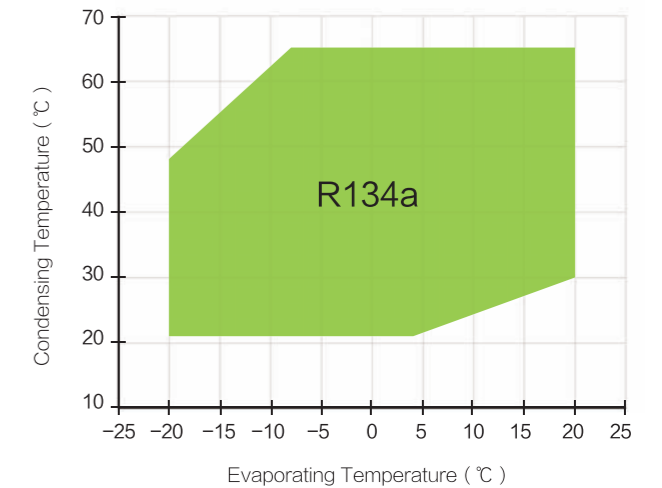
Model SRC-S (W)		113	133	163	183	213	255	285	305	353
Displacement 50/60 (Hz)	m ³ /h	118/142	150/180	175/210	205/246	237/284	286/343	318/382	341/409	402/482
Weight	kg	325	330	335	510	515	615	590	625	730
Oil Charge	dm ³	6	6	6	7	7	10	10	10	14
Capacity Control		Steps: 100%, 75%, 50%, minimum. (Stepless:100%...minimum, or 100%...50% per request)								
Standard Motor		400/3/50 (Hz) ~460/3/60 (Hz)								

Model SRC-S (W)		413	463	503	553	603	755	785	885	985
Displacement 50/60 (Hz)	m ³ /h	445/534	510/612	562/674	600/720	700/840	860/1032	910/1092	1000/1200	1100/1320
Weight	kg	740	775	1010	1030	1020	980	1400	1400	1400
Oil Charge	dm ³	14	16	19	19	20	23	25	25	25
Capacity Control		Steps: 100%, 75%, 50%, minimum. (Stepless:100%...minimum, or 100%...50% per request)								
Standard Motor		400/3/50 (Hz) ~460/3/60 (Hz)								

Note: Please contact us directly for more details.

RefComp 134-S Semi-hermetic Screw Compressor

RefComp 134-S series are the refrigeration compressors exclusively for R134a, including 14 models, displacement 270-1100m³/h, nominal power 70-300HP, compact design, low noise, high efficiency, various models and easy installation. They can meet various requirements from manufacturers to make their own high-efficiency, advanced refrigeration or heat pump systems.



- Screw compressors exclusively for R134a. Asymmetric screw rotor designed by RefComp, tooth profile 5/6, excellent lubrication, perfect meshing between teeth, smooth and quiet operation of the compressor.
- small size, filter, cut-off valve, and temperature sensor are integrated into the compressor body. Optimized design, less space required.
- Motor protection module provides reliable protection against motor overheating, phase reversal and phase loss.
- Real-time tracking provides the operation status of the motor and system.

- Multiple duplex bearings are able to avoid rotor axial / radial wear, resulting in high load and low noise.
- Embedded oil separator.
- Multi-step separation, oil efficiency as high as 99.85%.
- Embedded 100 μm high-density suction filter, easy to replace.
- Unique structure and space design, using subcooled refrigerant gas between suction cut-off valve and the inlet side of the screw to effectively cool down the motor.
- Suction/discharge shut-off valves are able to reverse 360°, which is easily installed with flexibility.
- Capacity control with or without step.

Technical Parameters

Model 134-S		071	081	091	101	110	120	140
Displacement 50/60 (Hz)	m ³ /h	270/324	307/368	344/413	380/456	413/496	480/576	560/672
Weight	kg	510	518	532	538	660	670	680
Oil Charge	dm ³	11	11	11	11	17	17	17
Capacity Control		Steps: 100%, 75%, 50%, minimum. (Stepless:100%...minimum, or 100%...50% per request)						
Standard Motor		400/3/50 (Hz) ~460/3/60 (Hz)						

Model 134-S		160	180	210	220	240	270	300
Displacement 50/60 (Hz)	m ³ /h	640/768	720/864	805/966	850/1020	910/1092	1000/1200	1100/1320
Weight	kg	930	940	950	980	1330	1350	1390
Oil Charge	dm ³	23	23	23	23	25	25	25
Capacity Control		Steps: 100%, 75%, 50%, minimum. (Stepless:100%...minimum, or 100%...50% per request)						
Standard Motor		400/3/50 (Hz) ~460/3/60 (Hz)						

Note: Please contact us directly for more details.

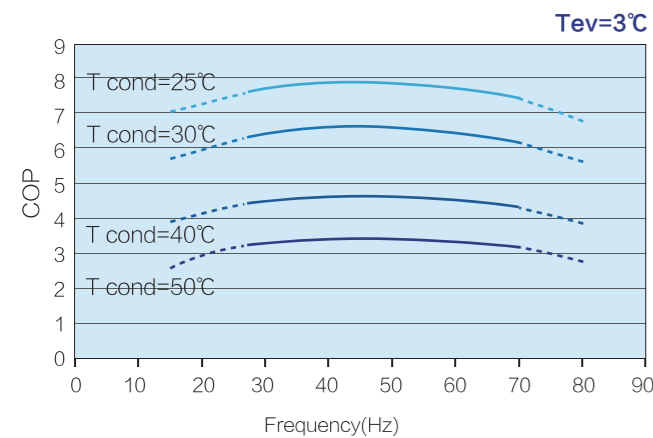
RefComp 134-I Semi-hermetic Variable Frequency Screw Compressor

RefComp 134-I Series compressors have a totally new design, use variable frequency converter to control capacity, and are exclusively for R134a. The main characteristics include the integration of variable frequency converter and the compressor, the converter cooled by the refrigerant liquid, compact in sizes and easy and reliable in application. Compared to other models exclusively designed for R134a, this series of compressors have higher actual efficiency and higher applicability. Frequency ranges 30Hz-70Hz, and 26 models are included. Proprietary automatic adjustment technology applied in the compressors can ensure the compressors to achieve the optimized efficiency in the wide and changed operating conditions, rendering the high overall efficiency.



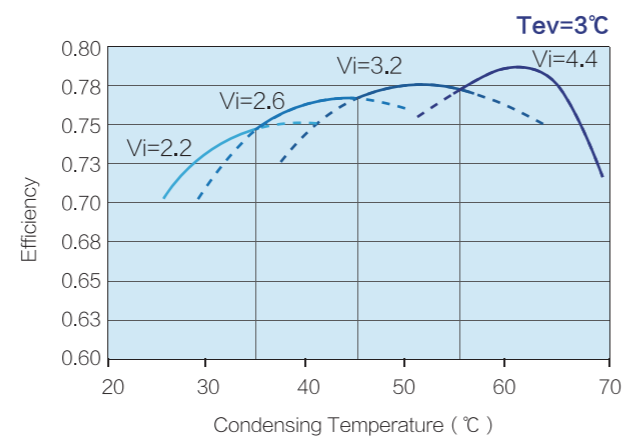
- Variable frequency screw compressor specifically designed for R134a.
- Filter, cut-off valve, temperature sensor and frequency converter are all integrated into one, resulting in the compact structure.
- Variable frequency motor: high power factor, low current, and low copper loss on the rotor.
- Cooling capacity is adjusted according to full or partial load. variable frequency converter is applied to control the capacity. The max. Efficiency is guaranteed in various operating conditions.
- Compared to the traditional compressors, ESEER is improved 26% at least, with the combination of new V_i adjustment technology and variable frequency conversion technology.

High Energy Efficiency under Partial Load



Compared to the traditional compressors, ESEER is improved 14% at least, with the combination of the reduced motor speed under the partial load and the optimized hydrodynamic design.

Maximize efficiency under operating conditions



Compared to the traditional compressors, ESEER is improved 26% at least, with the combination of the control technology of internal volume ratio and variable frequency control technology.

Technical Parameters

Model 134-I	Small Motor													
	95	105	125	135	155	175	215	225	245	295	325	375	415	
Displacement70(Hz)	m ³ /h	378	430	482	532	578	672	784	896	1008	1127	1274	1400	1540
Weight	kg	560	568	582	588	710	720	730	980	990	1000	1380	1410	1460
Oil Charge	dm ³	11	11	11	11	17	17	17	23	23	23	25	25	25
Power Supply		400V/3/50Hz ~460V/3/60Hz												
Frequency Converter Protection Level		IP54												

Model 134-I	Large Motor													
	100	110	130	140	160	180	220	230	250	300	330	380	420	
Displacement70(Hz)	m ³ /h	378	430	482	532	578	672	784	896	1008	1127	1274	1400	1540
Weight	kg	560	568	582	588	780	790	800	980	990	1000	1380	1410	1460
Oil Charge	dm ³	11	11	11	11	17	17	17	23	23	23	25	25	25
Power Supply		400V/3/50Hz ~460V/3/60Hz												
Frequency Converter Protection Level		IP54												

Note: Please contact us directly for more details.

RefComp SP Single-Stage Piston Compressor

RefComp Semi-hermetic piston compressors are widely used not only in commercial and industrial refrigeration, but also in certain special air conditioning conditions. RefComp SP Series compressors have a wide applicability, good in various refrigeration conditions. Despite the already mature and reliable technology in making piston compressors, RefComp still diligently researches and innovates to further improve the piston compressors' performance such as quality and reliability. RefComp SP series include 34 models, with 2, 4, 6, 8 cylinders, rated power ranging from 3 to 70 HP.



- Operating pressure can reach as high as 28bar.
- Filter, cut-off valve, temperature sensor are integrated into one, and the overall size of the compressor is small.
- With the crankshaft (including balancing weight) designed by RefComp, the operation is smooth and with low-vibration.
- High efficiency, high strength, low vibration, low gas pulsation and low noise, which is achieved through new technology, overall performance has reached the world top level of the same types of compressors.
- Cooling capacity can be controlled according to different loads.
- Motor protection module.
- The embedded safety valve joins the high pressure side and low pressure side to prevent the internal pressure from exceeding the safety threshold.
- Unique structure design and spacing layout: motor is effectively cooled down by using subcooled refrigerant gas between the suction shut-off valve and the inlet of the piston.

Technical Parameters

Model SP	H (High-temperature compressor)																	
	SP2H				SP4HF/SP4HN				SP4H				SP6H		SP8H			
	0500	0600	0800	0900	1000	1200	1500	2000	2200	2500	3000	3500	3700	4000	5000	6000	7000	
Rated Power	HP	5	6	8	9	10	12	15	20	22	25	30	35	37	40	50	60	70
Displacement at 50Hz	m ³ /h	17.5	21.0	24.5	28.0	35.0	42.0	49.0	56.0	64.7	75.0	86.1	102.9	112.5	129.1	154.4	186	222
No. of Cylinders		2	2	2	2	4	4	4	4	4	4	4	4	6	6	6	8	8
Weight	kg	86	87	87	91	143	146	152	155	193	206	209	238	241	246	250	345	350
Oil Charge	dm ³	1.8	1.8	1.8	1.8	2.6	2.6	2.6	2.6	3.7	3.7	3.7	3.7	4.2	4.2	4.2	5.0	5.0
Standard Motor		Δ 230V/3/50Hz Y 400V/3/50Hz								400V/3/50Hz 460V/3/60Hz P W								
Max Running Current	A	12	14	16	20	24	27	33	40	37	43	52	56	60	75	93	115	140

Model SP	L (Cryogenic compressor)																	
	SP2L				SP4LF/SP4LN				SP4L				SP6L		SP8L			
	0300	0400	0500	0600	0600	0800	1000	1200	1500	1800	2200	2500	2700	3000	4000	5000	6000	
Rated Power	HP	3	4	5	6	6	8	10	12	15	18	22	25	27	30	40	50	60
Displacement at 50Hz	m ³ /h	17.5	21.0	24.5	28.0	35.0	42.0	49.0	56.0	64.7	75.0	86.1	102.9	112.5	129.1	154.4	186.0	222.0
No. of Cylinders		2	2	2	2	4	4	4	4	4	4	4	4	6	6	6	8	8
Weight	kg	84	85	85	86	134	139	144	146	182	186	195	220	230	236	247	340	345
Oil Charge	dm ³	1.8	1.8	1.8	1.8	2.6	2.6	2.6	2.6	3.7	3.7	3.7	3.7	4.2	4.2	4.2	5.0	5.0
Standard Motor		Δ 230V/3/50Hz Y 400V/3/50Hz								400V/3/50Hz 460V/3/60Hz P W								
Max Running Current	A	9	10	12	34	16	19	24	27	29	33	39	43	48	54	75	97	115

Note: Please contact us directly for more details.

RefComp SB Two-Stage Piston Compressor

RefComp SB Series includes 6 models. High-pressure displacement: 27.6–51.5m³/h, Power: 12–30HP, Applicability: R22, R404A and R507, Features: high efficiency, long durability, compact size and low vibration, etc.. The two-stage displacement is achieved through two consecutive compressions. In Stage I, the refrigerant gas from the evaporator is sucked from the inlet into the intermediate cavity. In Stage II, the refrigerant gas is sucked in from the intermediate cavity and is compressed to the displacement pressure. Compared to the single-stage compressor, the compression ratio of each stage of the two-stage compressor is always lower. as a result, the displacement temperature is lowered and efficiency is improved.



- Working pressure: up to 28bar.
- Reliable valve plate design: impact resistant spring steel is used to make the valve plate.
- Minimum space requirement, compact design, Easy maintenance.
- Low vibration and noise. Cylinder combination of “4+6” , optimized mass balance design renders quiet running.
- High cooling capacity and low energy consumption.
- High reliability actuator:
 - a. the hardened surface of the eccentric shaft and crankshaft.
 - b. large capacity oil pump.
 - c. low friction bearing bush and aluminum piston.
 - d. hard chrome plated piston ring.
- Installed subcooler (optional) can further improve the compression efficiency.

Technical Parameters

Model SB		SB4-1200	SB4-1400	SB6-1600	SB6-2000	SB6-2500	SB6-3000
		SB4-120E	SB4-140E	SB6-160E	SB6-200E	SB6-250E	SB6-300E
Rated Power	Hp	12	14	16	20	25	30
Displacement at 50Hz Low / high	m ³ /h	43.0/27.6	51.5/32.4	64.7/32.4	75.0/37.5	86.1/43	102.9/51.5
No. of Cylinders		4	4	6	6	6	6
Oil Charge	dm ³	3.7	3.7	4.2	4.2	4.2	4.2
Standard Motor (partial winding)		400V/3/50Hz -460V/3/60Hz PW					
Max Running Current	A	27	34	39	46	50	55

Note: Please contact us directly for more details.

RefComp SPS Piston Compressor

RefComp SPS compressors are applicable for CO₂ subcritical cycle, including 19 models. Displacement: 1.5–48.5m³/h, power:0.5–30HP. The components are specifically designed for CO₂, ensuring the high efficiency and stable operation of the compressor. SPS piston compressors are characterized by high efficiency, long durability and compact size.



- Working pressure as high as 60bar, advanced design concept, high quality housing material selected to ensure the housing to meet the strength requirement.
- Environment-friendly refrigerant CO₂, advantageous in areas where the requirement for safety is high, with evident environmental benefit.
- Safety valve installed to prevent the pressure inside the housing from exceeding the safety threshold.
- Built-in high density suction filter to remove the impurities of the refrigerant gas and protect the motor.
- Reliable and efficient valve plate group design valve with plate made from impact-resistant spring steel. Rapid and reliable gas exchange and long durability.
- The sliding bearings are made of composite materials, providing reliable support for the moving components.
- Motor protection module, to ensure safe operation of the compressor.

Technical Parameters

Model SPS		21-1.5	21-2	21-2.5	21-3	21-3.5	21-4.5	21-5.5	21-6.5	22-8	22-9
Displacement at 50Hz	m ³ /h	1.5	1.8	2.3	2.8	3.6	4.5	5.5	6.7	7.8	9.2
No. of Cylinders		2	2	2	2	2	2	2	2	2	2
Power Supply		Δ/Y Δ: 220-240V-3-50Hz, 265-290V-3-60Hz Y: 380-420V-3-50Hz, 440-480V-3-60Hz									
Max Running Current	A	4.2/2.4	4.8/2.8	6.0/3.4	6.8/3.9	8.5/4.9	9.9/5.7	13.3/7.6	16.1/9.3	17.5/10.1	20.1/11.5
Max Power	kW	1.1	1.2	1.5	1.9	2.5	3.1	4.0	4.8	5.5	6.4
Starting Current	A	16.4/9.4	16.4/9.4	26.4/15.2	26.4/15.2	43.5/25.0	43.5/25.0	66.6/38.2	66.6/38.2	79.2/45.8	96.1/55.5
Weight	kg	47	47	48	48	50	50	52	52	78	80

Model SPS		22-11	41-13	41-15	41-18	41-22	42-29	42-35	42-41	42-48	
Displacement at 50Hz	m ³ /h	11.2	13.0	15.6	18.4	22.3	28.7	34.7	41.3	48.5	
No. of Cylinders		2	4	4	4	4	4	4	4	4	
Power Supply		Δ/Y Δ: 220-240V-3-50Hz, 265-290V-3-60Hz Y: 380-420V-3-50Hz, 440-480V-3-60Hz					PW(Y/YY) 380-420V-3-50Hz 440-480V-3-60Hz				
Max Running Current	A	24.7/14.2	29.6/17.0	33.7/19.4	39.3/22.6	47.6/27.4	33.3	40.4	49.4	57.4	
Max Power	kW	7.8	8.8	10.7	12.7	15.5	19.5	23.7	28.4	33.6	
Starting Current	A	123.7/71.5	161.7/93.5	203.8/117.8	235.2/136	235.2/136	121/198	162/265	185/303	215/352	
Weight	kg	84	97	98	103	103	158	162	172	175	

Note: Please contact our company directly for more details.

RefComp SPT Piston Compressor

RefComp SPT compressors are applicable for CO₂ transcritical and subcritical cycles, including 21 models. Displacement: 4.4-25.5m³/h, power: 6-40HP. The components are specifically designed for CO₂, ensuring the high efficiency and stable operation of the compressor. SPT piston compressors are characterized by high efficiency, long durability and compact size.



- Working pressure as high as 160bar, advanced design concept, high quality housing material selected to ensure the housing to meet the strength requirement.
- Environment-friendly refrigerant CO₂, advantageous in areas where the requirement for safety is high.
- Evident environmental benefit.
- Safety valve installed to prevent the pressure inside the housing from exceeding the safety threshold.
- Built-in high density suction filter to remove the impurities of the refrigerant gas and protect the motor.
- Reliable and efficient valve plate group design with valve plate made from impact resistant spring steel. Rapid and reliable gas exchange and long durability.
- The sliding bearings are made of composite materials, providing reliable support for the moving components.
- Motor protection module, to ensure the safe operation of the compressor.

Technical Parameters

Model SPT		41-4L	41-4H	41-5L	41-5H	41-6L	41-6H	41-8L	41-8H	41-9L
Displacement at 50Hz	m ³ /h	4.4	4.4	5.4	5.4	6.6	6.6	8.0	8.0	9.6
No. of Cylinders		4	4	4	4	4	4	4	4	4
Power Supply		Δ/Y Δ: 220-240V-3-50Hz, 265-290V-3-60Hz Y: 380-420V-3-50Hz, 440-480V-3-60Hz								
Max Running Current	A	18.3/10.5	25.1/14.5	20.9/12.0	29.9/17.2	26.3/15.1	38.6/22.2	31.1/17.9	45.8/26.3	38.6/22.2
Max Power	kW	6.1	8.4	7.0	10.0	8.8	12.9	10.4	15.3	12.9
Starting Current	A	96/55	157/90	124/71	157/90	157/90	198/114	198/114	229/132	198/114
Weight	kg	98	102	100	102	103	109	110	114	112

Model SPT		42-9L	42-9H	42-11L	42-11H	42-14L	42-14H	42-18L	42-18H	42-22L	42-22H	42-26L	42-26H
Displacement at 50Hz	m ³ /h	9.2	9.2	11.9	11.9	14.4	14.4	17.8	17.8	21.9	21.9	25.5	25.5
No. of Cylinders		4	4	4	4	4	4	4	4	4	4	4	4
Power Supply		PW(YYY) 380-420V-3-50Hz 440-480V-3-60Hz											
Max Running Current	A	21.2	30.5	26.8	39.6	34.1	47.3	42.3	59.0	54.0	71.4	63.0	83.4
Max Power	kW	12.3	17.7	15.6	23.0	19.8	27.5	24.6	34.3	31.4	41.5	36.6	48.5
Starting Current	A	77/127	89/147	89/147	121/198	121/198	162/265	162/265	185/303	185/303	215/352	215/352	226/371
Weight	kg	154	158	158	165	165	170	170	182	182	188	188	195

Note: Please contact us directly for more details.

RefComp SPM Marine Piston Compressor

RefComp SPM Series are particularly developed for marine use, satisfying the application requirement on the marine vessels. The oil storage and supply structure of the compressor are specially designed to ensure the reliability of the lubricant oil supply system and the smooth oil suction of the oil pump when the compressor tilts and sways with the vessel. Two types of compressors are available: high temperature compressor (H) for air conditioning and low temperature compressor (L) for refrigeration.



- Exclusively developed for marine use: special structure design guaranteed.
- Working pressure: up to 28bar. compact size: filter, shut-off valve, and temperature sensor are integrated.
- The crankshaft has balancing weight: smooth operation, low-vibration and excellent lubrication.
- The deepened oil groove ensures compressor with stable and reliable oil supply when in swing and sway ambient condition.
- The capacity is controlled, in line with the full load or partial load, via the solenoid valve.
- Applicable for R22, R407C, R134a, R404A, etc..
- Easy installation and maintenance.
- Motor protection module ensures the safe operation of the compressor.

Technical Parameters

Model		SPM4H				SPM6H		
		2200	2500	3000	3500	3700	4000	5000
Nominal Power	Hp/kW	22/16.4	25/18.7	30/22.4	35/26.1	37/27.6	40/29.9	50/37.3
Displacement at 50/60Hz	m ³ /h	64.7/77.6	75.0/90.0	86.1/103.3	102.9/123.5	112.5/135.0	129.1/154.9	154.4/185.3
No. of Cylinders		4	4	4	4	6	6	6
Weight	kg	206	219	222	251	254	259	263
Oil Charge	dm ³	6.0	6.0	6.0	6.0	6.5	6.5	6.5
Power Supply		400V/3/50Hz - 460V/3/60Hz PW						
Starting Current	A	102/170	123/201	150/243	178/290	178/290	201/330	233/394

Model		SPM4L				SPM6L		
		1500	1800	2200	2500	2700	3000	4000
Nominal Power	Hp/kW	15/11.2	18/13.3	22/16.4	25/18.7	27/20.2	30/22.4	40/29.9
Displacement at 50/60Hz	m ³ /h	64.7/77.6	75.0/90.0	86.1/103.3	102.9/123.5	112.5/135.0	129.1/154.9	154.4/185.3
No. of Cylinders		4	4	4	4	6	6	6
Weight	kg	195	199	208	233	243	249	260
Oil Charge	dm ³	6.0	6.0	6.0	6.0	6.5	6.5	6.5
Power Supply		400V/3/50Hz - 460V/3/60Hz PW						
Starting Current	A	88/146	102/170	102/170	123/201	123/201	150/243	201/330

Note: Please contact us directly for more details.

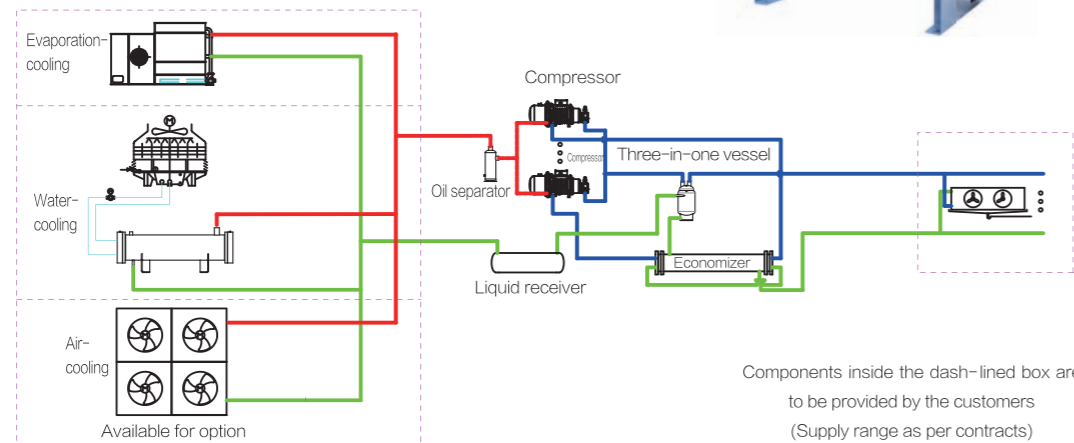
SW3 Low Temp Semi-hermetic Compressor (Condensing) Unit

With the inheritance of compression technology from RefComp, Snowman introduces high-end RefComp compressor (condensing) units SW3L Series with power range of 30-880HP. Per the request of the customers, the HP of the unit can be as high as 1320HP, including two options: water-cooled compressor (condensing) units and compressor units. The design and production of the units satisfy fully the actual requirement of industrial refrigeration. The design and layout of all the components maximize the reliability and maintainability for on-site operation. Components of the units: RefComp compressor, oil separator, (condenser), suction accumulator, economizer, liquid receiver, control center, etc..

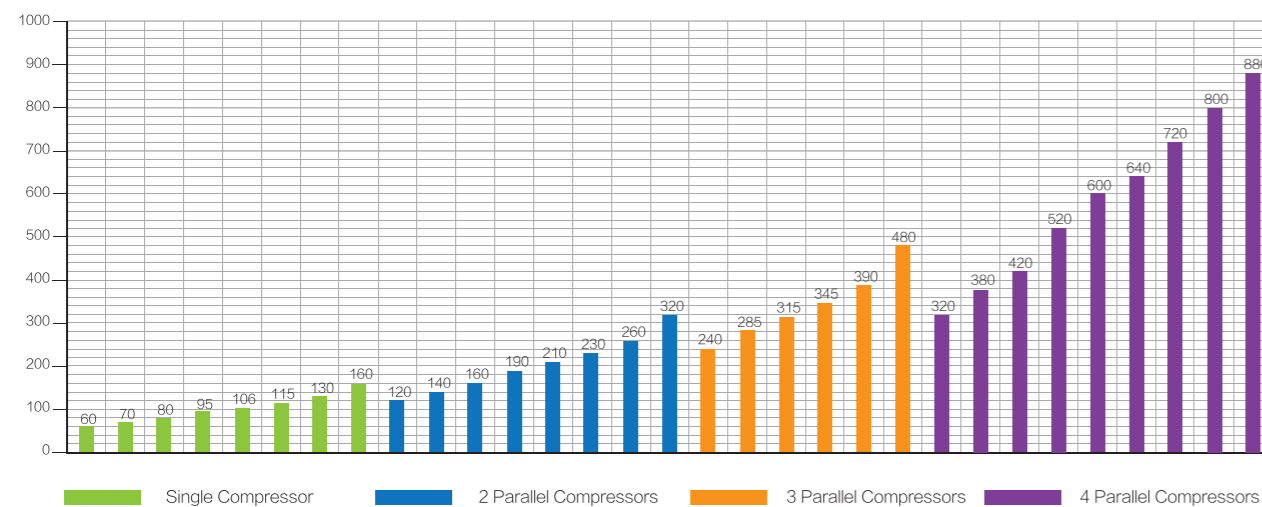


Refrigerant *	R22/R404A/R507A
Cooling Capacity**	28-852kW
Power Supply	380V/3P/50Hz
No. of Compressors ***	1-4 Set

- * If the units are for other refrigerants, please contact us.
- ** Standard working condition, -23/40°C and for R22.
- *** For more compressor-consist parallel rack, please contact us.



Compressor HP



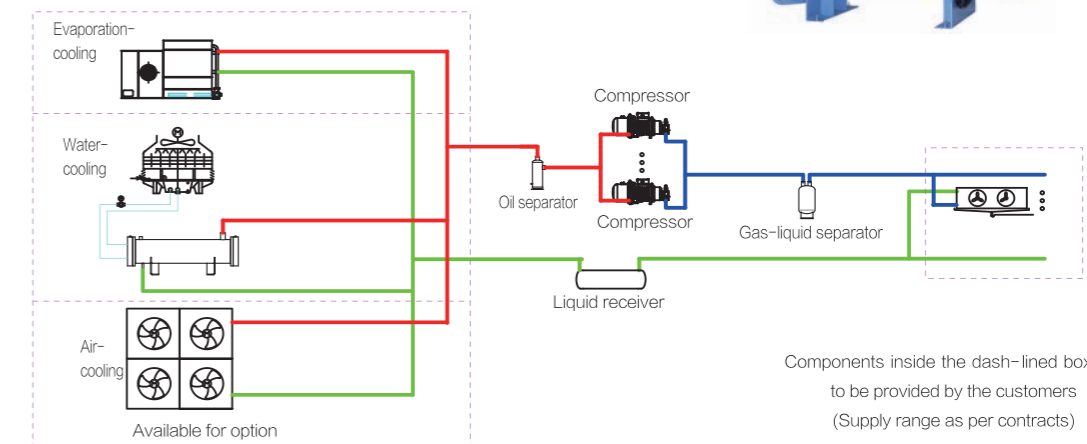
SW3 Medium/High Temp Semi-hermetic Compressor (Condensing) Unit

With the inheritance of compression technology from RefComp, Snowman introduces high-end RefComp compressor (condensing) units SW3H Series with power range of 150-1000HP, including two options: water-cooled compressor (condensing) units and compressor units. SW Series high temp screw compressors are packaged with high-efficiency oil separator, and have wide application scenarios. The design and layout of all the components maximize the reliability and maintainability for on-site operation. Components of the units: RefComp compressor, oil separator, (condenser), economizer, liquid receiver, control center, etc..

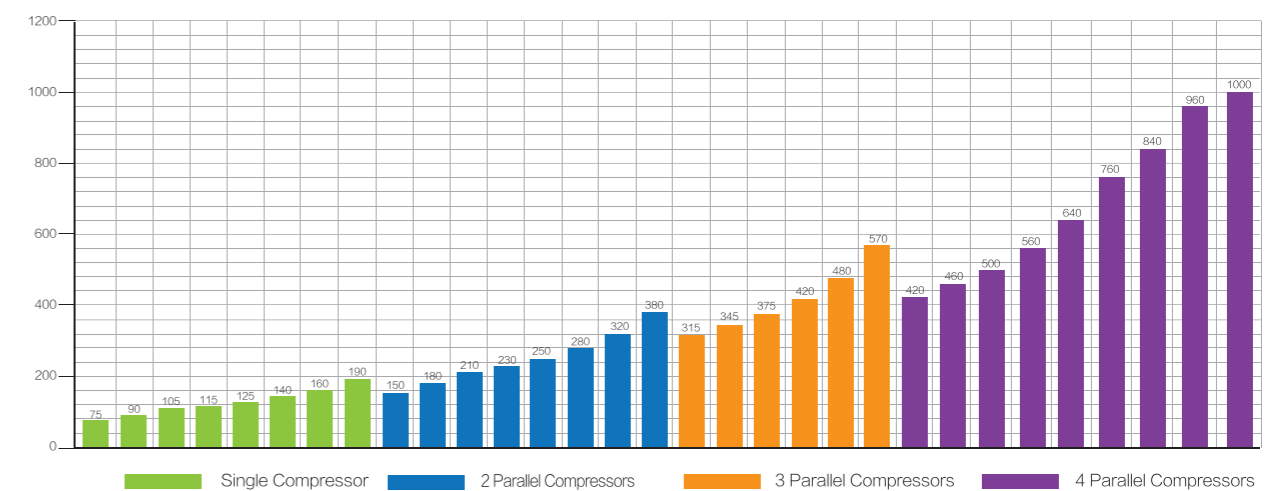


Refrigerant *	R22/R404A/R507A
Cooling Capacity**	83 ~ 1822kW
Power Supply	380V 3P 50Hz
No. of Compressors ***	1-4 Set

- * If the units are for other refrigerants, please contact us.
- ** Standard working condition, -5/40°C and for R22.
- *** For more compressor-consist parallel rack, please contact us.



Compressor HP



SW5L Semi-hermetic Compressor (Condensing) Unit

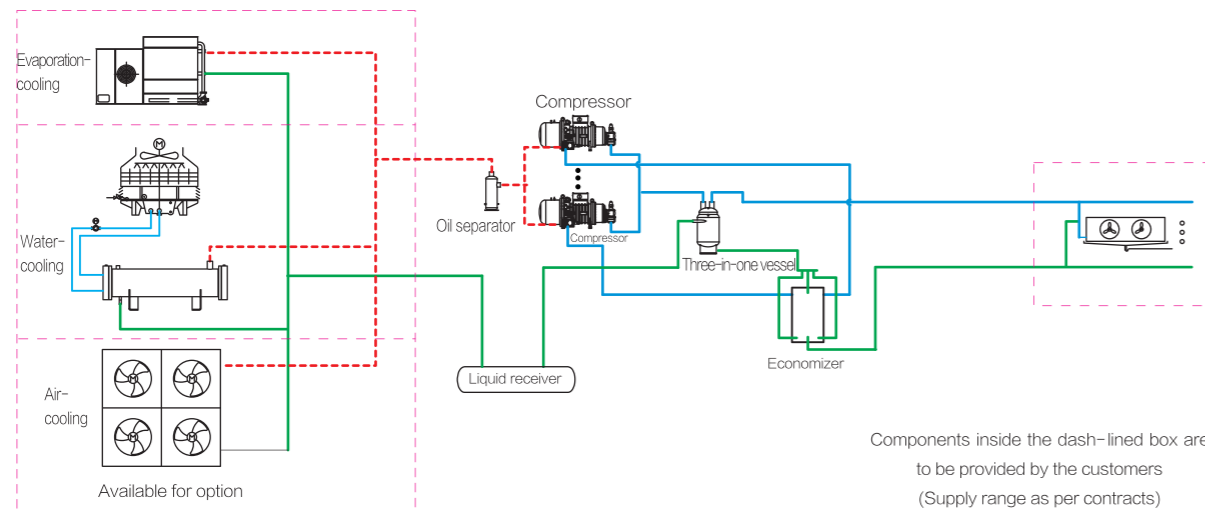
With the inheritance of compression technology from RefComp, Snowman introduces high-end RefComp compressor (condensing) units SW5L Series with power range of 20-600HP. Per the request of the customers, the HP of the unit can be as high as 900HP. The design and production of the units satisfy fully the actual requirement of industrial refrigeration. The design and layout of all the components maximize the reliability and maintainability for on-site operation. Components of the units: RefComp compressor, oil separator, (condenser), suction accumulator, economizer, liquid receiver, control center, etc..



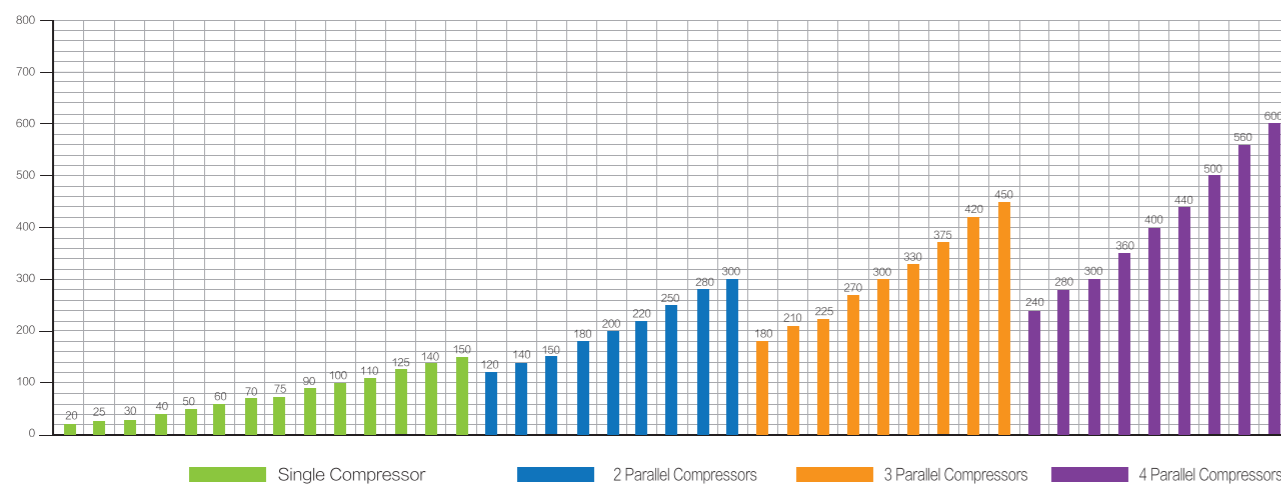
Refrigerant *	R22/R404A/R507A
Cooling Capacity**	22 ~ 622kW
Power Supply	380V 3P 50Hz
No. of Compressors ***	1~4 Set



- * If the units are for other refrigerants, please contact us.
- ** Standard working condition, -30/40°C and for R22.
- *** For more compressor-consist parallel rack, please contact us.



Compressor HP



SP (L) Low Temp Piston Compressor (Condensing) Unit

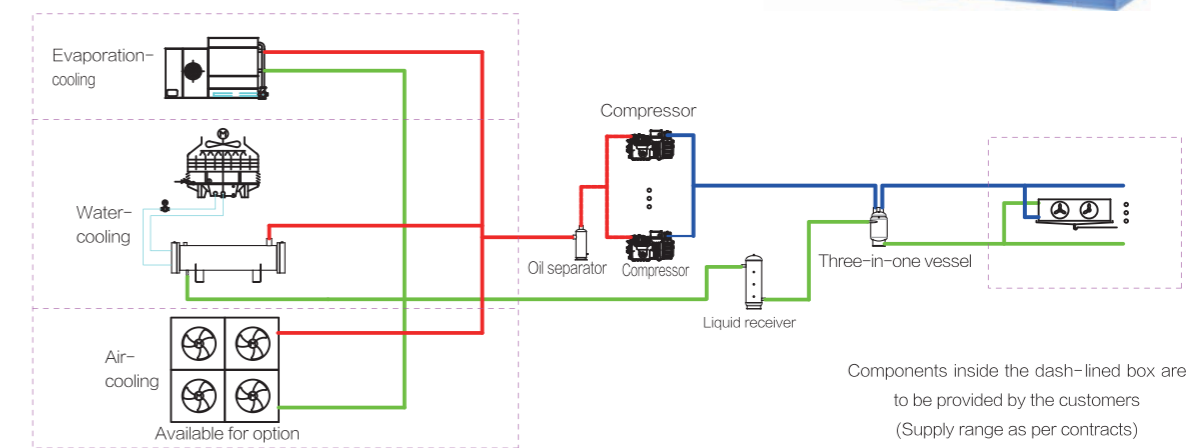
Snowman use RefComp SP compressors for this series of units. The power range is 6-160HP. Per the request of the customers, the HP of the unit can be as high as 240HP. Units configuration is flexible: units can packaged with water-cooled condenser, air-cooled condenser or without condenser. With many years of experience, the units are user-friendly: suction port, drainage port and oil charge port are all included, rendering easy maintenance and replacement. Components of the units: RefComp compressor, oil separator, (condenser), suction accumulator, economizer, liquid receiver, control center, etc..



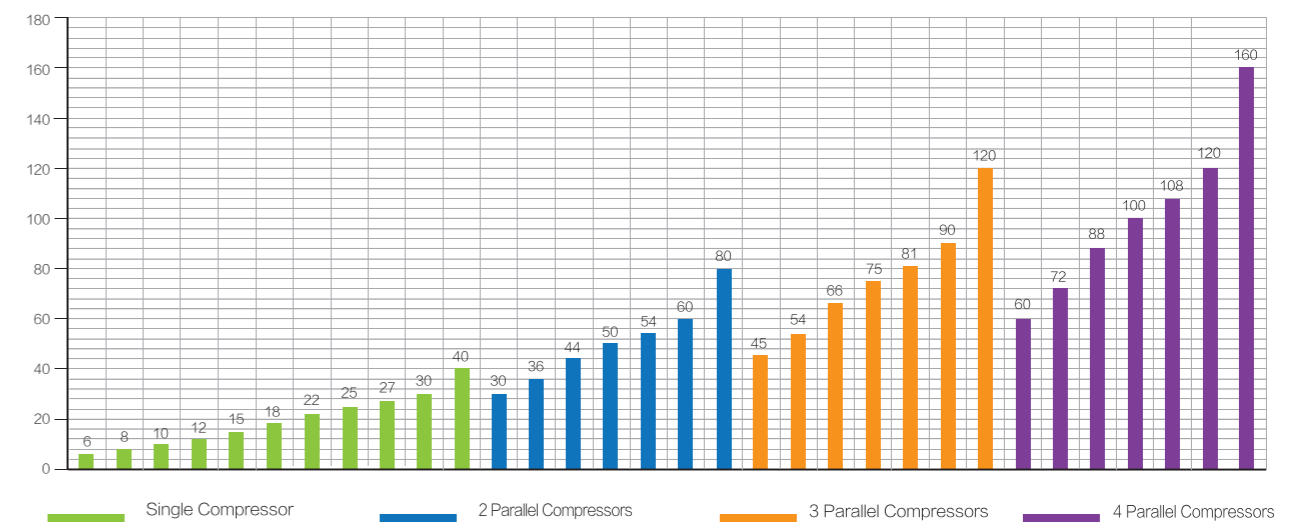
Refrigerant *	R22/R404A/R507A
Cooling Capacity**	9.9 ~ 157.6kW
Power Supply	380V 3P 50Hz
No. of Compressors ***	1~4 Set



- * If the units are for other refrigerants, please contact us.
- ** Standard working condition, -23/40°C and for R22.
- *** For more compressor-consist parallel rack, please contact us.



Compressor HP



SP (H) Medium/High Temp Piston Compressor (Condensing) Unit

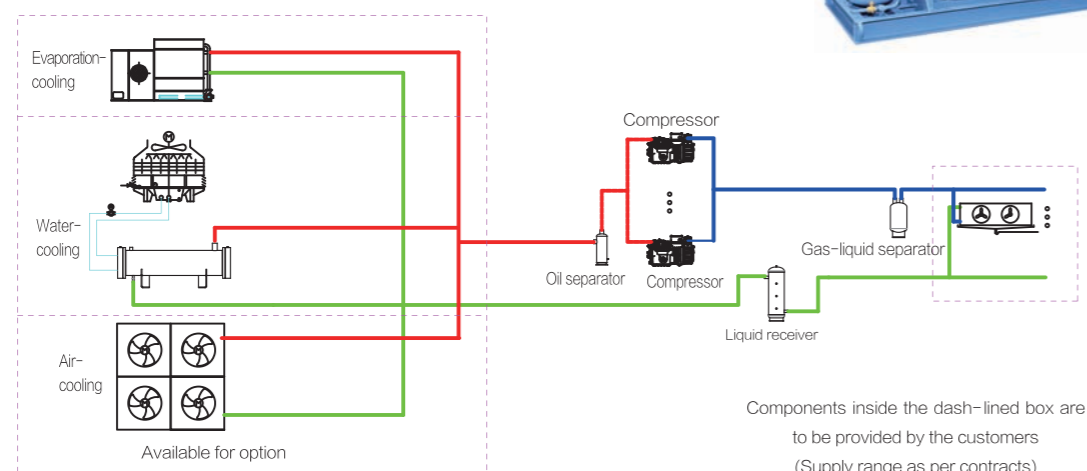
Snowman use RefComp SP compressors as the compressors of this series. The power range is 10-200HP. Per the request of the customers, the HP of the unit can be as high as 300HP. Units configuration is flexible: units can be paired with water-cooled condenser, air-cooled condenser or without condenser. With many years of experience, the units are user-friendly: suction port, drainage port and oil charge port are all included, rendering easy maintenance. Components of the units: RefComp compressor, oil separator, (condenser), vapor-liquid receiver, control center, etc..



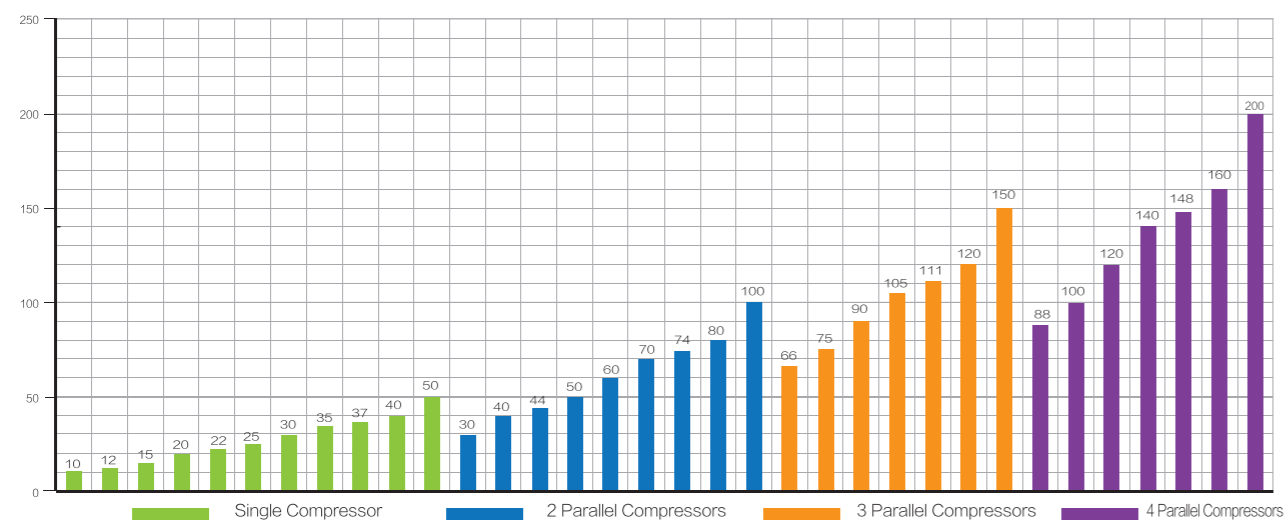
Refrigerant *	R22/R404A/R507A
Cooling Capacity**	21.3 ~ 361.6kW
Power Supply	380V 3P 50Hz
No. of Compressors ***	1~4 set



- * If the units are for other refrigerants, please contact us.
- ** Standard working condition, -7/40°C and for R22.
- *** For more compressor-consist parallel rack, please contact us.



Compressor HP



Box Type Condensing Unit

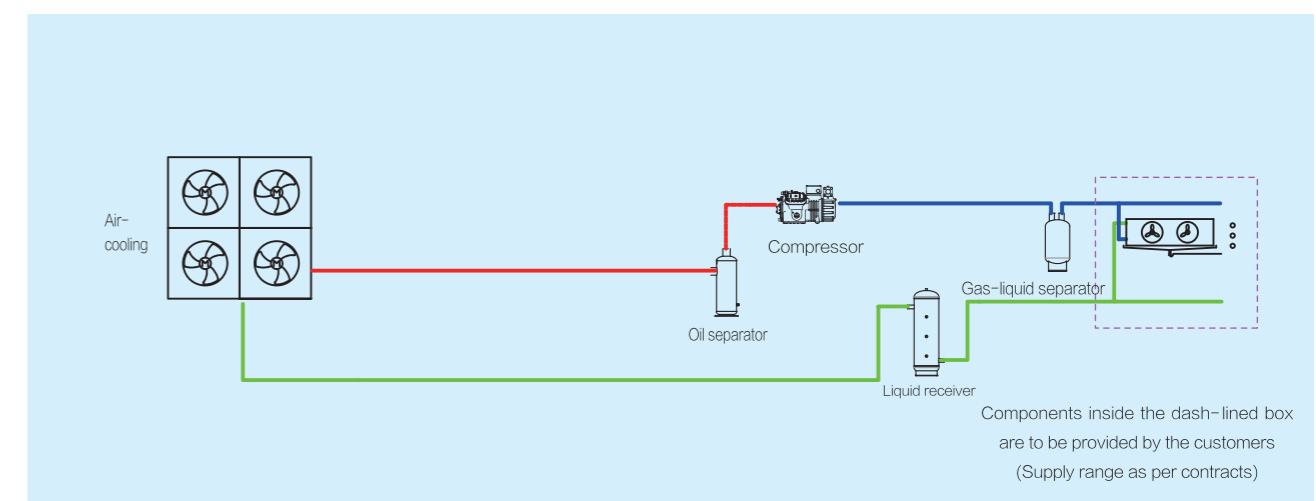
Snowman use RefComp SP compressors for this series of units. The power range is 5-20HP. Integrated box-type design renders the compact size, easy maintenance.

- Snowman's accumulated experience in refrigeration system integration.
- Worldwide brand compressors provide strong cooling capacity.
- Worldwide brand air-cooling condenser.
- Unified and robust quality assurance system covering from components, parts to whole units.
- Applicable for R22, R507A, R404A, etc..
- Units for both medium/high temp and low temp working conditions are available.
- Mechanical-electrical integrated structure occupies less space and renders easy operation and maintenance.
- Unique gas-liquid design to significantly reduce the liquid-strike damage caused by load fluctuation.
- User-friendly design to make the replacement of quick-wear parts easy and maintenance cost low.



Refrigerant *	R22/R404A/R507A
Cooling Capacity**	Medium/High Temp: 10.3~33kW. Low Temp: 6.7~18.5kW
Power Supply	380V 3P 50Hz
No. of Compressors ***	1 set

- * If the units are for other refrigerants, please contact us.
- ** Standard working conditions of medium/high temp and low temp follow GB/T 21363-2008-Positive Displacement Refrigerant Compressor Condensing Unit, and for R22.



Micro-channel Type Condensing Unit

The microchannel condenser is a product that has always been pursuing low cost and high energy-efficiency in refrigeration field and is a compact size heat exchanger, which has the characteristics of high heat transfer coefficient, small refrigerant charge, compact and high efficiency, corrosion resistance, and environmental noise reduction.

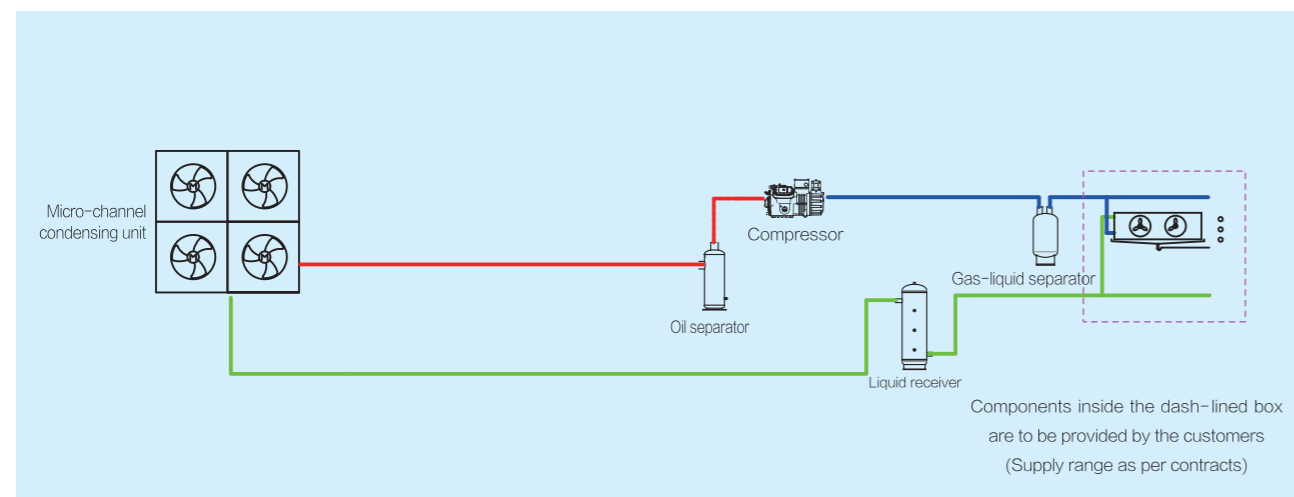
Micro-channel condensing unit adopts Refcomp SP series piston compressors, and the horsepower ranges from 3- 12HP. The unit has many user-friendly designs such as air- evacuation port, sewage outlet and filling port for easy maintenance.



Refrigerant *	R404A/R507A/R22
Cooling Capacity**	Medium/High Temp: 9.6-17.3kW. Low Temp: 3.5-11.3kW
Power Supply	380V 3P 50Hz
No. of Compressors ***	1 Set

- * If the units are for other refrigerants, please contact us.
- ** Medium temperature: 10/45°C , low temperature: -28/15°C , Refrigerant R404A.

- Rich experience in refrigeration system of Snowman.
- Italian Refcomp compressor by Snowman.
- Well-known micro-channel condenser.
- Perfect quality assurance system ranges from components to the whole machine.
- Suitable for R404A, R507A, R22 and other refrigerants.
- Medium temperature, low temperature two working conditions for option.
- Mechatronics structure, small footprint, simple operation and maintenance.
- The unique design of gas-liquid separation greatly buffers the damage caused by violent fluctuations in the load.
- Compressor comes with protection module.
- User-defined control scheme.
- Schneider, ABB, Omron and other international brand master control components, quality assurance, stable and reliable.
- Short circuit, overload and other protections to ensure equipment safety.
- Multi-panel indicators, the unit status information at a glance.
- Local/remote start/stop control function, DCS monitoring contacts reserved, with various methods.



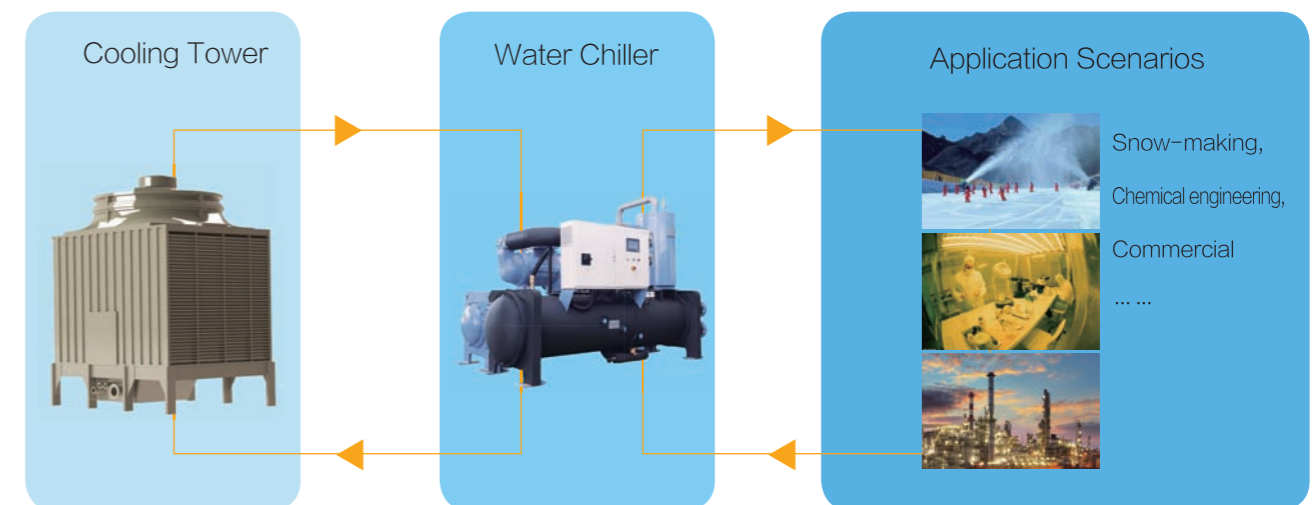
Semi-hermetic Type Water Chiller

Based on the semi-hermetic screw compressors of RefComp, Snowman has optimized its design, introducing standard semi-hermetic screw water chiller, providing various refrigerating solutions for different working conditions. With its easy operation and safe and reliable running, the series can be applied in various scenarios such as industries in petroleum, chemical engineering, coal, medicine, fishery, commerce, food, scientific research, etc., where refrigeration is needed. We are committed to providing the customers with the most economic, energy-saving, safe and high efficiency water chiller. Components included: RefComp semi-hermetic screw compressor, oil separator, evaporator (dry/full-flooded), water-cooling condenser, throttling device, dry filter, valves and pipings, etc..



High Temp: $-10^{\circ}\text{C} < \text{Brine outlet temp} \leq 3^{\circ}\text{C}$
 Med Temp: $-25^{\circ}\text{C} < \text{Brine outlet temp} \leq -10^{\circ}\text{C}$
 Low Temp: $-35^{\circ}\text{C} < \text{Brine outlet temp} \leq -25^{\circ}\text{C}$

- Snowman' s rich experience in refrigeration system design and development.
- Single unit and multiple units design, meeting the actual needs of the customers.
- Optimized structure design, module design, high integration, compact size, easy installation and maintenance.
- Components and accessories are selected from famous brands, rendering reliable quality.
- For various refrigerants.
- Steps or stepless capacity control, flexible and controllable load, applicable for great changes in various working conditions.
- Wide applications for high, medium, low temp working conditions.
- The evaporative, water-cooling, and air-cooling condensers are available to meet the different requirements of regions.
- Intelligent control center, easy operation, which can automatically record the operation parameters of the system, preventive safety and protection system installed.
- Robust quality assurance system.



Cooling Capacity

Units	Cooling Capacity (kW)	Units	Cooling Capacity (kW)
High Temp Water-cooled water chiller	96~1108	High Temp Flooded water chiller	459~1201
Med Temp Water-cooled Dry water chiller	54~680	Low Temp Dry-type Dry water chiller	40~499

Note: 1. In case of deviations due to the technological improvement, please take actual design as standard.
 2. Please contact us directly for more details.